



Room Air Conditioner

SVC MANUAL(Exploded View)

MODEL : LS-C1264GB0 (S126GC)

CAUTION

Before Servicing the unit, read the safety precautions in General SVC manual.
Only for authorized service personnel.

1. Specification

Models			LS-C1264GB0	
Cooling Capacity		kcal/h.(W)	3,049(3,550)	
		Btu/h.	12,000	
Heating Capacity		kcal/h.(W)	-	
		Btu/h.	-	
Power Input	Cooling	W	1300	
	Heating	W	-	
Running Current	Cooling	A	5.8	
	Heating	A	-	
Starting Current	Cooling	A	-	
	Heating	A	-	
EER		kcal/h.W(W/W)	2.32(2.7)	
		Btu/h.W	9.2	
COP		W/W	-	
Power Supply		Ø.V.Hz	1Ø.220-240,50	
Power Factor		%	-	
Air Circulation		Indoor,Max	m ³ /min(CFM)	
		Outdoor,Max	m ³ /min(CFM)	
Moisture Removal		l/h.(pts/h.)	1.5(3.20)	
Noise Level (Sound Pressure)	Indoor,High	dB(A)±3	37	
	Med.	dB(A)±3	33	
	Low	dB(A)±3	30	
	Outdoor,Max	dB(A)±3	49	
Features		Temperature Control	Thermistor	
		Plasma Filter	-	
		Nano Plasma Filter	-	
		Deodorizing Filter	-	
		Auto Clean	Yes	
		CHAOS Wind(Auto Wind)	Yes	
		Airflow Direction(4-Way:Optional)	4-Way	
		Steps, Fan/Cool	3/4	
		Airflow Direction Control(up&down)	Auto	
		Airflow Direction Control(left&right)	Auto	
		Remocon Type	Wireless LCD	
		Setting Temperature Range	Cool	18 - 30
			Heat	-
		Temperature Increment		1
		Auto Operation (Micom Control)		Yes
		Auto Changeover (Micom Control)		-
		Self Diagnosis		Yes
		Timer		24h, On/Off
		Sleep Operation		Yes
		Soft Dry Operation		Yes
		Restart Delay(minute)		3
		Deice Control(Defrost)		-
		Hot Start		-
Jet Cool		Yes		
Special Function			-	
Refrigerant(R-22)Charge		g(oz)	640(22.6)	
Compressor	Type		Rotary	
	Model		QK222PBA	
	Maker		LG	
	Capacity	kcal/h.(Btu/h.)	(13,100/13,200)	
	Motor Type		PSC	
	Motor Input	W	1,254/1,375	
	Oil Type		SUNISO 4GSI	
	Oil Charge	cc	380	
	O.L.P Name		MRA12052-12027	
Blower Motor	Input	W	31.1	
	Output	W	9.5	
Fan Motor	Model		YDK-032S62513-03	
	Motor Type		AC INDUCTION	
	Motor Input	W	55	
	Motor Output	W	22	
Circuit Breaker		A	15	
Power Cord		AWG#*P*UA	16:3*1.0	
Connecting Cable		AWG#*P*UA	16:3*1.0	
Connecting Tube (Ø. Socket Flare)	Liquid Side	mm(in)	6.35(1/4)	
	Gas Side	mm(in)	12.7(1/2)	
	Length,std	m(in)	7.5	
Drain Hose Dimension	(O.D., I.D)	mm(in)	21.5,16(0.85,0.63)	
	Indoor	mm	840*270*153	
		inch	33.1*10.6*6.0	
	Outdoor	mm	717*481*228	
		inch	28.2*18.9*9.0	
	Net Weight	Indoor	kg(lbs)	7(15.4)
Outdoor		kg(lbs)	25(55)	
Stuffing Quantity	With S/Parts	20/40ft	128/277	
	Without S/Parts	20/40ft	130/280	

Note:

○ : Applied, - : No relation

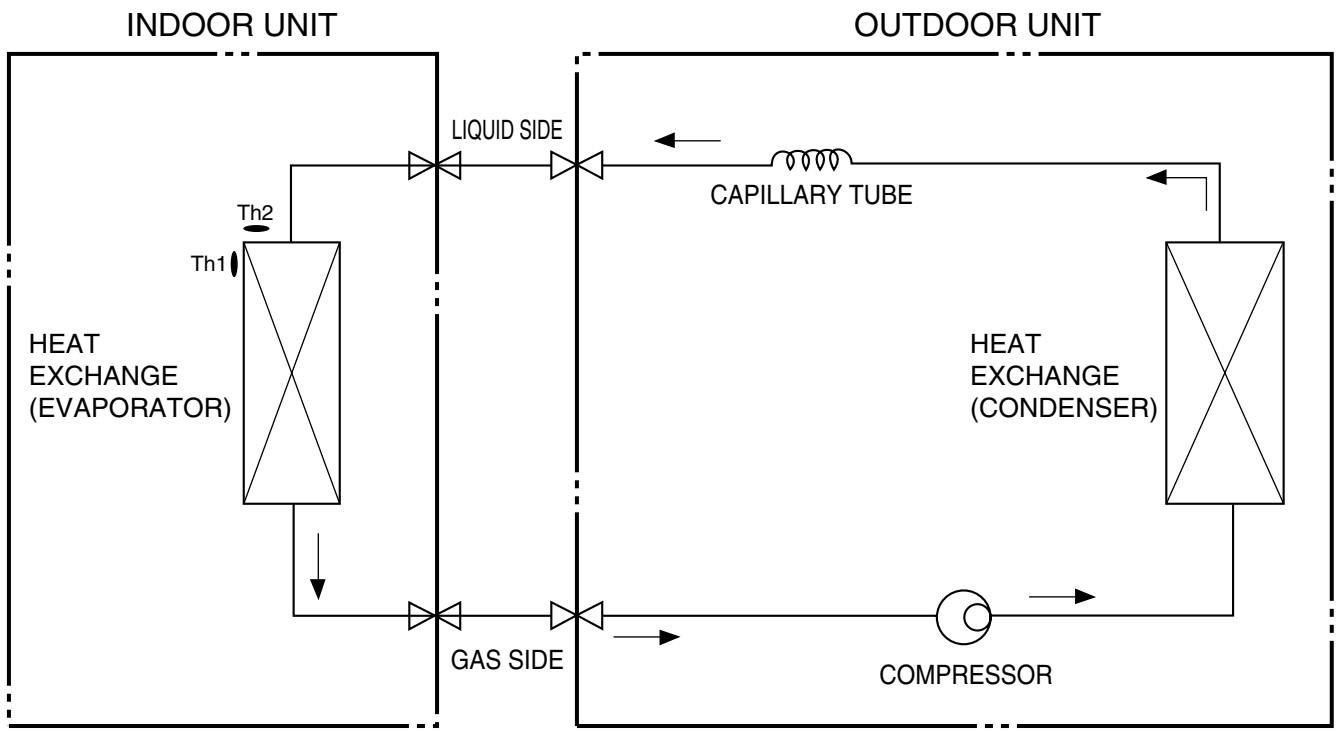
* For circuit breaker rating, please conform to local standards wherever necessary.

※ Some of functions are slightly different depending upon models.

※ The specification may be subject to change without prior notice for purpose of improvement.

※ Capacity : based on 230V

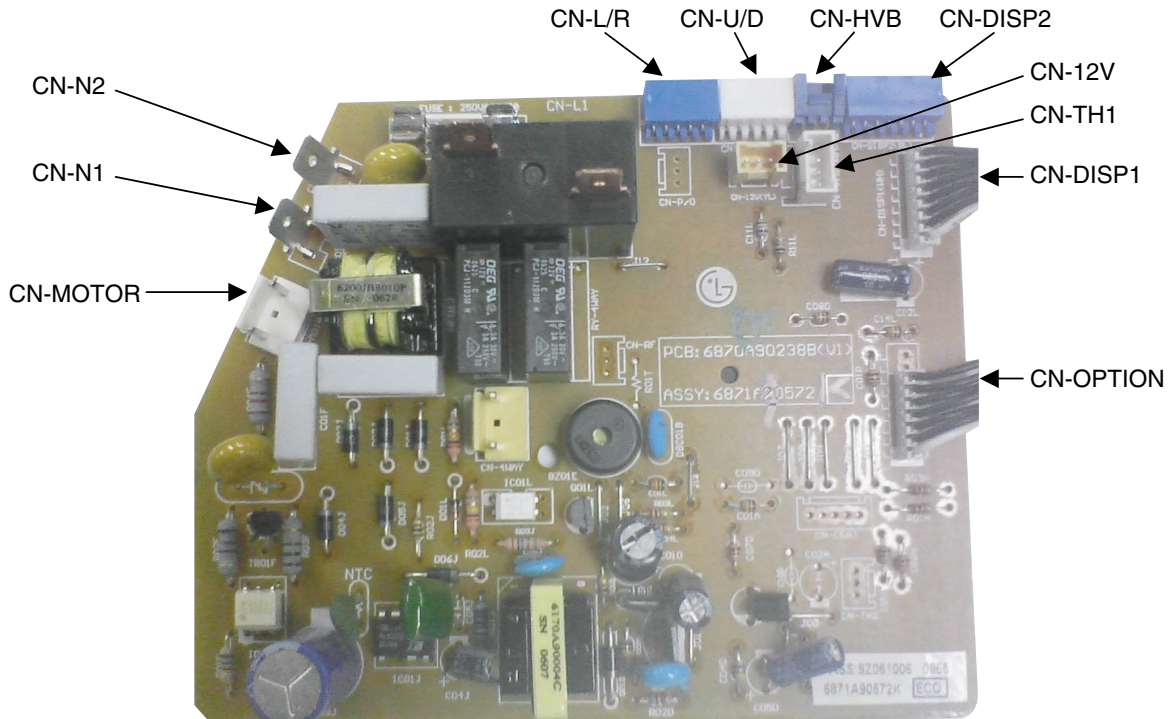
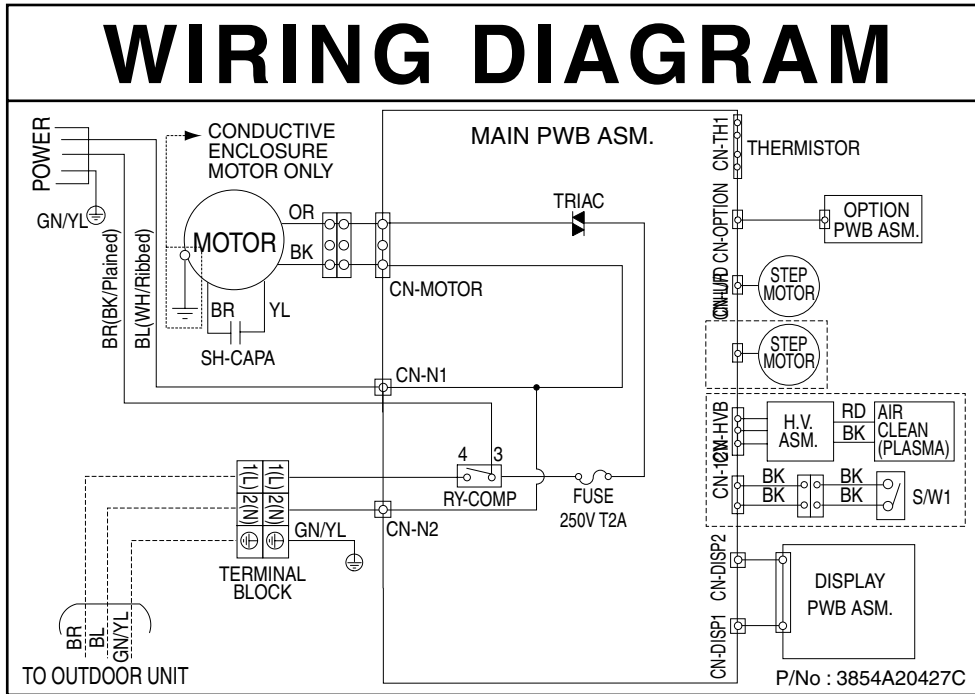
2. Piping Diagrams



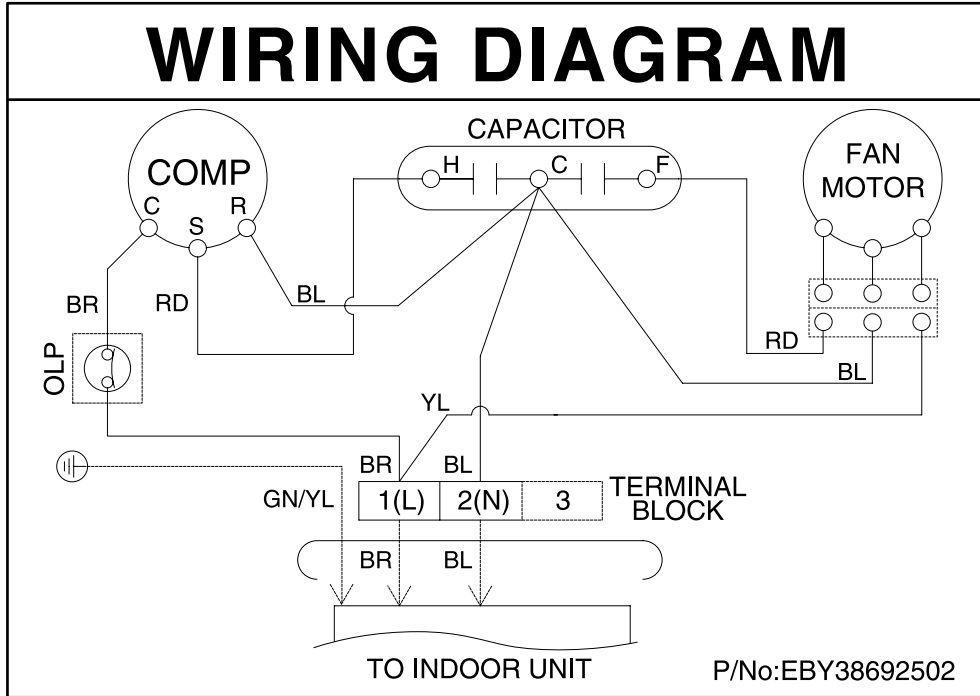
LOC.	Description	PCB Connector
Th1	Thermistor for indoor air temperature	CN_TH1
Th2	Thermistor for evaporating temperature	

3. Wiring Diagrams

Indoor Unit

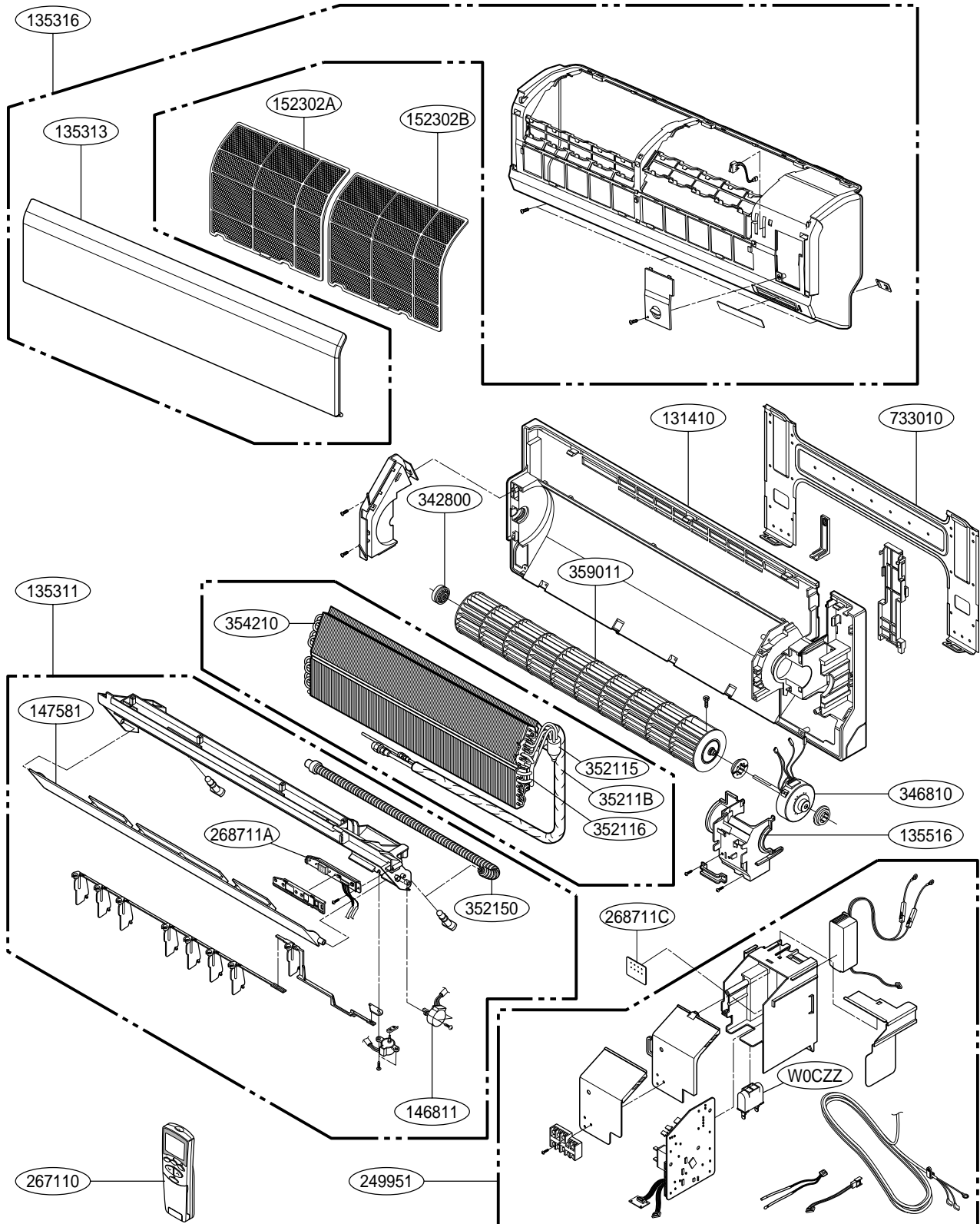


Outdoor Unit



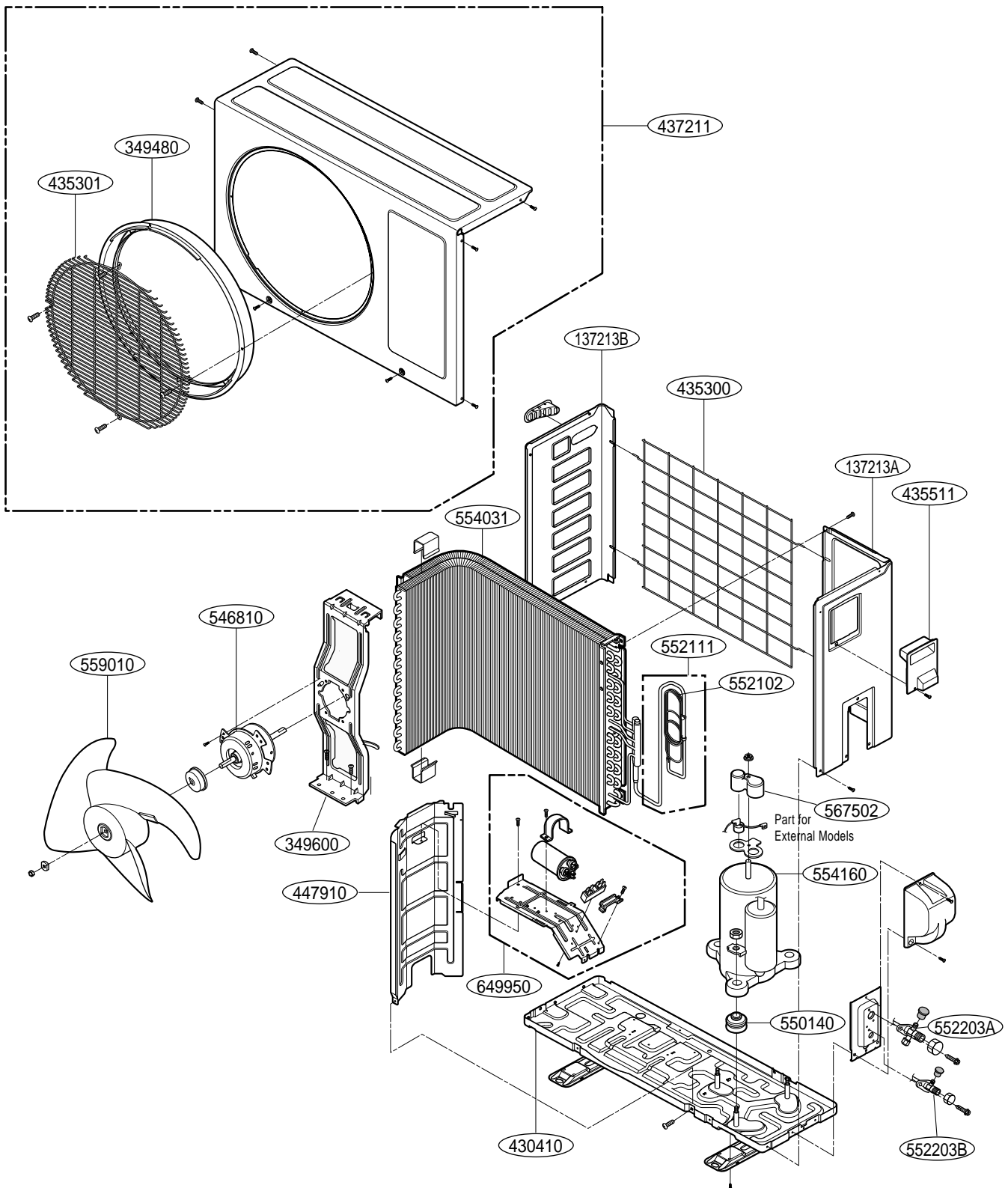
4. Exploded View

Indoor Unit



Note) * Please ensure GCSC since the replacement parts may be changed depending upon the buyer's request.
 Please check the correct parts in View RPL(Replacement Part List) on GCSC.
 (GCSC Website <http://biz.Lgservice.com>.)

Outdoor Unit



Note) * Please ensure GCSC since the replacement parts may be changed depending upon the buyer's request.
 Please check the correct parts in View RPL(Replacement Part List) on GCSC.
 (GCSC Website <http://biz.Lgservice.com>.)



P/NO : MFL42684207

December, 2007