

Feng Yun Series

1. Summary



figure 1

MODEL

NOTE

KF-50GW/A10	KFR-50GW/A10	CE STANDARD
KF-60GW/A10	KFR-60GW/A10	1Ph 220-230V 50Hz
		R22
KF-50GW/NA1	KFR-50GW/NA1	CE STANDARD
KF-60GW/NA10	KFR-60GW/NA10	1Ph 220-230V 50Hz
		R407C
KF-50GW/A10-12206		1Ph 220V 60Hz
KFR-50GW/A10-12206		R22
GSW24-22L/A	GSW24-22R/A	
KT3F-60GW/A10		TROPICAL AIR-CONDITIONER
KT3FR-60GW/A10		1Ph 220V 50Hz
		R22
KT3F-60GW/A10-12206		TROPICAL AIR-CONDITIONER
KT3FR-60GW/A10-12206		1Ph 220V 60Hz
		R22
KFR-60GW/A10-12405		1Ph 240V 50Hz
		R22

2. Technical specifications

Table 1

Model		KF-50GW/A10	KFR-50GW/A10	
Function		Cooling	Cooling	Heating
Power supply		1Ph 220-230V 50Hz		
Capacity (W)		5000	5000	6000
Rated input (W)		1960	1960	2160
Rated current (A)		9.0	9.0	10
Air flow (m ³ /h)		720		
Dehumidifying volume (L/h)		2.0		
C.O.P(W/W)		2.55	2.55	2.77
Indoor unit	Model	KF-50G/A10	KFR-50G/A10	
	Motor fan speed(r/min)	1350/1200/1100		
	Output power(w)	20		
	Fan type/piece	Cross flow fan-1		
	Diameter-length(mm)	φ 90 × 723		
	Evaporator	Aluminum fin-copper tube		
	Row-fin distance(mm)	3-1.5		
	Working area(mm ²)	733 × 330		
	Swing motor	MP24EA		
	Input/Power(W)	50		
	Fuse(A)	Controller 3.15A Transformer 0.2A		
	Working capacitor(μ F)	1		
	Noise(dB(A))	≤ 46		
	Dimension (width-height-depth)(mm)	907 × 290 × 195		
Net weight(Kg)	12			
Outdoor unit	Model	KF-50W/A10	KFR-50W/A10	
	Input power(W)	1910	1910/2090	
	Current(A)	8.71	8.71/9.71	
	L.R.A.(A)	49		
	Throttling method	Capillary		
	Compressor	SHW33TC4-U		
	Power(W)	1990		
	Protector	External overload protection		
	Starting method	By capacitor		
	Working temp.	Exhaust temperature ≤ 115℃		
	Condenser	Aluminum-copper		
	Pipe-diameter	φ 9.52		
	Working area(m ²)	0.65		
	Fan motor speed(rpm)	780		
	Type-piece	Axial fan-1		
	Diameter(mm)	φ 460		
	Defrosting method	Auto defrost		
	Noise(dB(A))	58		
Dimension(mm)(width-height-depth)	950 × 700 × 410			
Net weight(Kg)	59			
Refrigerant charge(kg)	R22/1.90	R22/1.95		
Connecting pipe	Outer diameter	Liquid pipe	φ 1/4"	
		Gas pipe	φ 1/2"	
	Max distance	Height(m)	5	
		Length(m)	10	

The technical data are subject to change without notice .Please refer to the nameplate of the unit.

Feng Yun Series

Table 2

Model		KF-60GW/A10		KFR-60GW/A10	
Function		Cooling		Cooling	Heating
Power supply		1Ph 220-230V 50Hz			
Capacity(W)		6000		6000	7000
Rated input(W)		2600		2600	2680
Rated current(A)		11.3		11.7	12
Air flow(m ³ /h)		720			
Dehumidifying volume(L/h)		2.4			
EER(W/W)		2.3		2.3	2.61
Indoor unit	Model	KF-60G/A10		KFR-60G/A10	
	Motor fan speed(r/min)	1400/1200/1100			
	Output power(w)	20			
	Fan type/piece	Cross flow fan-1			
	Diameter-length(mm)	φ 90 × 723			
	Evaporator	Aluminum fin-copper tube			
	Row-fin distance(mm)	3-1.5			
	Working area(mm ²)	733 × 330			
	Swing motor	MP24EA			
	Input/Power(W)	50			
	Fuse(A)	Controller 3.15A		Transformer 0.2A	
	Working capacitor(μF)	1			
	Noise(dB(A))	≤ 48			
	Dimension(width-height-depth)(mm)	907 × 290 × 195			
Net weight(Kg)	12				
Outdoor unit	Model	KF-60W/A10		KFR-60W/A10	
	Input power(W)	2550		2550/2650	
	Current(A)	11.0		11.0/11.7	
	L.R.A.(A)	60			
	Throttling method	Capillary			
	Compressor	SHV33YE6UU (revolving type)			
	Power(W)	2335			
	Protector	External overload protection			
	Starting method	By capacitor			
	Working temp.	Exhaust temperature ≤ 115℃			
	Condenser	Aluminum-copper			
	Pipe-diameter	φ 9.52			
	Working area(m ²)	0.65			
	Fan motor speed(rpm)	840			
	Type-piece	Axial fan-1			
	Diameter(mm)	φ 460			
	Defrosting method	Auto defrost			
	Noise(dB(A))	59			
	Dimension(mm)(width-height-depth)	950 × 700 × 410			
Net weight(Kg)	59				
Refrigerant charge(kg)	R22/1.6		R22/2.0		
Connecting pipe	Outer diameter	Liquid pipe	φ 3/8"		
		Gas pipe	φ 5/8"		
	Max distance	Height(m)	5		
		Length(m)	10		

The technical data are subject to change without notice .Please refer to the nameplate of the unit.

Feng Yun Series

Table 3

Model		KF-50GW/NA1	KFR-50GW/NA1	
Function		Cooling	Cooling	Heating
Power supply		1Ph 220-230V 50Hz		
Capacity(W)		5000	5000	6200
Rated input(W)		2400	2400	2650
Rated current(A)		9.0	9.0	10
Air flow(m ³ /h)		720		
Dehumidifying volume(L/h)		2.0		
C.O.P(W/W)		2.08	2.08	2.34
Indoor unit	Model	KF-50G/NA1	KFR-50G/NA1	
	Motor fan speed(r/min)	1350/1200/1100		
	Output power(W)	20		
	Fan type/piece	Cross flow fan-1		
	Diameter-length(mm)	φ 90 × 723		
	Evaporator	Aluminum fin-copper tube		
	Row-fin distance(mm)	3-1.5		
	Working area(mm ²)	733 × 330		
	Swing motor	MP24EA		
	Input/Power(W)	50		
	Fuse(A)	Controller 3.15A Transformer 0.2A		
	Working capacitor(μF)	1		
	Noise(dB(A))	≤ 46		
	Dimension(width-height-depth)(mm)	907 × 290 × 195		
	Net weight(Kg)	12		
Outdoor unit	Model	KF-50W/NA1	KFR-50W/NA1	
	Input power(W)	2350	2350/2600	
	Current(A)	8.7	8.7/9.7	
	L.R.A.(A)	47		
	Throttling method	Capillary		
	Compressor	C-2RN170H5U		
	Power(W)	2200		
	Protector	External overload protection		
	Starting method	By capacitor		
	Working temp.	Exhaust temperature ≤ 115℃		
	Condenser	Aluminum-copper		
	Pipe-diameter	φ 9.52		
	Working area(m ²)	0.65		
	Fan motor speed(rpm)	780		
	Type-piece	Axial fan-1		
	Diameter(mm)	φ 460		
	Defrosting method	Auto defrost		
	Noise dB(A)	58		
	Dimension(mm)(width-height-depth)	950 × 700 × 410		
	Net weight(kg)	59		
Refrigerant charge (kg)	R407C/2.0			
Connecting pipe	Outer diameter	Liquid pipe	φ 1/4"	
		Gas pipe	φ 1/2"	
	Max distance	Height(m)	5	
		Length(m)	10	

The technical data are subject to change without notice .Please refer to the nameplate of the unit.

Feng Yun Series

Table 4

Model		KF-60GW/NA10	KFR-60GW/NA10	
Function		Cooling	Cooling	Heating
Power supply		1Ph 220-230V 50Hz		
Capacity(W)		6000	6000	7000
Rated input(W)		2600	2600	2600
Rated current(A)		11.3	11.7	12
Air flow(m ³ /h)		720		
Dehumidifying volume(L/h)		2.0		
C.O.P(W/W)		2.08	2.08	2.34
Indoor unit	Model	KF-60G/NA10	KFR-60G/NA10	
	Motor fan speed(r/min)	1400/1200/1100		
	Output power(W)	20		
	Fan type/piece	Cross flow fan-1		
	Diameter-length(mm)	φ 90 × 723		
	Evaporator	Aluminum fin-copper tube		
	Row-fin distance(mm)	3-1.5		
	Working area(mm ²)	733 × 330		
	Swing motor	MP24EA		
	Input/Power(W)	50		
	Fuse(A)	Controller 3.15A Transformer 0.2A		
	Working capacitor(μF)	1		
	Noise(dB(A))	≤ 48		
	Dimension(width-height-depth)(mm)	907 × 290 × 195		
	Net weight(Kg)	12		
Outdoor unit	Model	KF-60W/NA10	KFR-60W/NA10	
	Input power(W)	2550	2550/2550	
	Current(A)	11.0	11.4/11.7	
	L.R.A.(A)	64		
	Throttling method	Capillary		
	Compressor	C-2RN190H5B (revolving)		
	Power(W)	2420		
	Protector	External overload protection		
	Starting method	By capacitor		
	Working temp.	Exhaust temperature ≤ 115℃		
	Condenser	Aluminum-copper		
	Pipe-diameter	φ 9.52		
	Working area(m ²)	0.65		
	Fan motor speed(rpm)	815		
	Type-piece	Axial fan-1		
	Diameter(mm)	φ 460		
	Defrosting method	Auto defrost		
	Noise dB(A)	59		
	Dimension(mm)(width-height-depth)	950 × 700 × 410		
	Net weight(kg)	59		
Refrigerant charge (kg)	R407C/2.0	R407C/2.2		
Connecting pipe	Outer diameter	Liquid pipe	φ 3/8"	
		Gas pipe	φ 5/8"	
	Max distance	Height(m)	5	
		Length(m)	10	

The technical data are subject to change without notice .Please refer to the nameplate of the unit.

Feng Yun Series

Table 5

Model		GSW24-22L/A	GSW24-22R/A	
Function		Cooling	Cooling	Heating
Power supply		1Ph 220V 60Hz		
Capacity(W)		6000	6000	6800
Rated input(W)		2600	2600	2500
Rated current(A)		12.8	12.8	12.6
Air flow(m ³ /h)		720		
Dehumidifying volume(L/h)		2.4		
C.O.P(W/W)		2.3	2.3	2.72
Indoor unit	Model	GSW24-22L/A(I)	GSW24-22R/A(I)	
	Motor fan speed(r/min)	1400/1200/1100		
	Output power(W)	20		
	Fan type/piece	Cross flow fan-1		
	Diameter-length	φ 90 × 723		
	Evaporator	Aluminum fin-copper tube		
	Row-fin distance(mm)	3-1.5		
	Working area(mm ²)	733 × 330		
	Swing motor	MP24EA		
	Input/Power(W)	50		
	Fuse(A)	Controller 3.15A Transformer 0.2A		
	Working capacitor(μF)	1		
	Noise(dB(A))	≤ 48		
	Dimension(width-depth-height)(mm)	907 × 290 × 195		
	Net weight(Kg)	12		
Outdoor unit	Model	GSW24-22L/A(O)	GSW24-22R/A(O)	
	Input power(W)	2550	2550/2450	
	Current(A)	12.5	12.5/12.3	
	L.R.A.(A)	61.6		
	Throttling method	Capillary		
	Compressor	CIDQ-0200-PFV-506		
	Power(W)	2690		
	Protector	External overload protection		
	Starting method	By capacitor		
	Working temp.	Exhaust temperature ≤ 115℃		
	Condenser	Aluminum-copper		
	Pipe-diameter	φ 9.52		
	Working area(m ²)	0.65		
	Fan motor speed(rpm)	815	815	
	Type-piece	Axial fan-1		
	Diameter(mm)	φ 460		
	Defrosting method	Auto defrost		
	Noise dB(A)	59		
	Dimension(mm)(width-height-depth)	950 × 700 × 410		
	Net weight(kg)	59		
Refrigerant charge (kg)	R22 1.6	R22 2.0		
Connecting pipe	Outer diameter	Liquid pipe	φ 3/8"	
		Gas pipe	φ 5/8"	
	Max distance	Height(m)	5	
		Length(m)	10	

The technical data are subject to change without notice .Please refer to the nameplate of the unit.

Feng Yun Series

Table 6

Model		KF-50GW/A10-12206	KFR-50GW/A10-12206	
Function		Cooling	Cooling	Heating
Power supply		1Ph 220V 60Hz		
Capacity(W)		5000	5000	6000
Rated input(W)		2000	2000	220
Rated current(A)		9.0	9.0	9.8
Air flow(m ³ /h)		720		
Dehumidifying volume(L/h)		2.0		
C.O.P(W/W)		2.5	2.5	2.727
Indoor unit	Model	KF-50G/A10-12206	KFR-50G/A10-12206	
	Motor fan speed(r/min)	1350/1200/1100		
	Output power(W)	20		
	Fan type/piece	Cross flow fan-1		
	Diameter-length(mm)	φ 90 × 723		
	Evaporator	Aluminum fin-copper tube		
	Row-fin distance(mm)	3-1.5		
	Working area(mm ²)	733 × 330		
	Swing motor	MP24EA		
	Input/Power(W)	50		
	Fuse(A)	Controller 3.15A Transformer 0.2A		
	Working capacitor(μF)	1		
	Noise(dB(A))	≤ 48		
	Dimension(width-height-depth)(mm)	907 × 290 × 195		
	Net weight(Kg)	12		
Outdoor unit	Model	KF-50W/A10-12206	KFR-50W/A10-12206	
	Input power(W)	1950	1950/2150	
	Current(A)	8.71	8.71/9.71	
	L.R.A.(A)	47		
	Throttling method	Capillary		
	Compressor	SHZ73LC2-U		
	Power(W)	1960		
	Protector	External overload protection		
	Starting method	By capacitor		
	Working temp.	Exhaust temperature ≤ 115℃		
	Condenser	Aluminum-copper		
	Pipe-diameter	φ 9.52		
	Working area(m ²)	0.65		
	Fan motor speed(rpm)	780		
	Type-piece	Axial fan-1		
	Diameter(mm)	φ 460		
	Defrosting method	Auto defrost		
	Noise dB(A)	58		
	Dimension(mm)(width-height-depth)	950 × 700 × 410		
	Net weight(kg)	59		
Refrigerant charge (kg)	R22/1.6	R22/1.9		
Connecting pipe	Outer diameter	Liquid pipe	φ 1/4"	
		Gas pipe	φ 1/2"	
	Max distance	Height(m)	5	
		Length(m)	10	

The technical data are subject to change without notice .Please refer to the nameplate of the unit.

Feng Yun Series

Table 7

Model		KT3F-60GW/A10-12206	KT3FR-60GW/A10-12206
Function		COOL	COOL/HEAT
Power supply		1Ph 220V 60Hz	
Capacity(W)		6000	6000/6800
Rated input(W)		2500	2500/2400
Rater current(A)		12	12/11.5
Air flow(m ³ /h)		720	
Dehumidifying volume(L/h)		2.4	
EER(W/W)		2.4	2.4/2.7
Indoor unit	Model	KT3F-60G/A10-12206	KT3FR-60G/A10-12206
	Motor fan speed(rpm)	1400/1200/1100	
	Output power(W)	20	
	Fan type/piece	Cross flow fan-1	
	Diameter-length	φ 90 × 723	
	Evaporator	Aluminum fin-copper tube	
	Row-fin distance(mm)	3-1.5	
	Working area(m ²)	733 × 330	
	Swing motor	MP24EA	
	Input/Power(W)	50	
	Fuse(A)	Controller 3.15A Transformer 0.2A	
	Working capacitor(μF)	1	
	Noise(dB(A))	≤ 48	
	Dimension(width-depth-height)(mm)	907 × 290 × 195	
	Net weight(Kg)	12	
Outdoor unit	Model	KT3F-60W/A10-12206	KT3FR-60W/A10-12206
	Input power(W)	2450	2450/2350
	Current(A)	11.1	11.1/10.7
	L.R.A.(A)	67.7	
	Throttling method	Capillary	
	Compressor model	CI24KQ-PFV-240BN	
	Compressor power(W)	2870	
	Protector	External overload protection	
	Starting method	By capacitor	
	Working temp.	Exhaust temperature ≤ 115℃	
	Condenser	Aluminum-copper	
	Pipe-diameter	φ 9.52	
	Row-fin distance(mm)	2/1.8	
	Working area(m ²)	0.65	
	Fan motor power(W)/speed(rpm)	815	
	Type-piece	Axial fan-1	
	Diameter(mm)	φ 460	
	Defrosting method	Auto defrost	
	Noise (dB(A))	59	
	Dimension(mm)(width-height-depth)	950 × 700 × 410	
Net weight(kg)	59		
Refrigerant charge (kg)	R22/2.0		
Connecting pipe	Length(m)	5	
	Outer diameter	Liquid pipe	φ 3/8"
		Gas pipe	φ 5/8"
	Max distance	Height(m)	5
Length(m)		10	

The technical data are subject to change without notice .Please refer to the nameplate of the unit.

Feng Yun Series

Table 8

Model		KT3F-60GW/A10		KT3FR-60GW/A10		
Function		COOL		COOL/HEAT		
Power supply		1Ph 220V 50Hz				
Capacity(W)		6000		6000/6800		
Rated input(W)		2800		2800/2800		
Rater current(A)		13.8		13.8/14.8		
Air flow(m ³ /h)		720				
Dehumidifying volume(L/h)		2.4				
EER(W/W)		2.14		2.14/2.42		
Indoor unit	Model		KT3F-60G/A10		KT3FR-60G/A10	
	Motor fan speed(rpm)		1400/1200/1100			
	Output power(W)		20			
	Fan type/piece		Cross flow fan-1			
	Diameter-length		φ 90 × 723			
	Evaporator		Aluminum fin-copper tube			
	Row-fin distance(mm)		3-1.5			
	Working area(m ²)		733 × 330			
	Swing motor		MP24EA			
	Input/Power(W)		50			
	Fuse(A)		Controller 3.15A Transformer 0.2			
	Working capacitor(μ F)		1			
	Noise(dB(A))		≤ 48			
	Dimension(width-height-depth)(mm)		907 × 290 × 195			
Net weight(Kg)		12				
Outdoor unit	Model		KT3F-60W/A10		KT3FR-60W/A10	
	Input power (W)		2450		2450/2350	
	Current (A)		11.1		11.1/10.7	
	L.R.A. (A)		67.7			
	Throttling method		Capillary			
	Compressor model		CI32KQ-PFZ-240			
	Compressor power(W)		2970			
	Protector		External overload protection			
	Starting method		By capacitor			
	Working temp.		Exhaust temperature ≤ 115℃			
	Condenser		Aluminum-copper			
	Pipe-diameter		φ 9.52			
	Row-fin distance(mm)		2/1.8			
	Working area(m ²)		0.65			
	Fan motor power(W)/speed(rpm)		815			
	Type-piece		Axial fan-1			
	Diameter(mm)		φ 460			
	Defrosting method		Auto defrost			
	Noise (dB(A))		59			
	Dimension(width-height-depth)(mm)		950 × 700 × 410			
Net weight(kg)		59				
Refrigerant charge (kg)		R22/2.0				
Connecting pipe	Length(m)		5			
	Outer diameter	Liquid pipe	φ 3/8"			
		Gas pipe	φ 5/8"			
	Max distance	Height(m)	5			
Length(m)		10				

The technical data are subject to change without notice .Please refer to the nameplate of the unit.

Feng Yun Series

Table 9

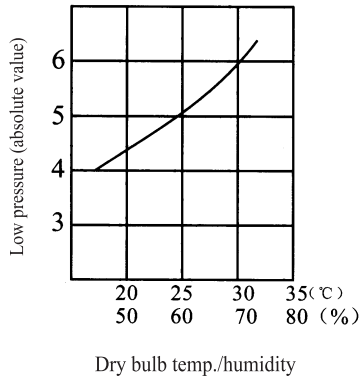
Model		KFR-60GW/A10-12405	
Content			
Function		Cooling	Heating
Power supply		1Ph 240V 50Hz	
Capacity (W)		6000	7000
Rated input (W)		2600	2680
Rated current (A)		11.7	12
Air flow (m ³ /h)		720	
Dehumidifying volume (L/h)		2.4	
C.O.P(W/W)		2.3	2.61
Indoor unit	Model	KFR-60G/A10-12405	
	Motor fan speed(r/min)	1400/1200/1100	
	Output power(w)	20	
	Fan type/piece	Cross flow fan-1	
	Diameter-length(mm)	φ 90 × 723	
	Evaporator	Aluminum fin-copper tube	
	Row-fin distance(mm)	3-1.5	
	Working area(mm ²)	733 × 330	
	Swing motor	MP24EA	
	Input/Power(W)	50	
	Fuse(A)	Controller 3.15A	Transformer 0.2A
	Working capacitor(μ F)	1	
	Noise(dB(A))	≤ 48	
	Dimension (width-height-depth)(mm)	907 × 195 × 290	
	Net weight(Kg)	12	
Outdoor unit	Model	KFR-60W/A10-12405	
	Input power (W)	2550/2650	
	Current (A)	11.0/11.7	
	L.R.A. (A)	60	
	Throttling method	Capillary	
	Compressor	SHW33YE6UU (revolving type)	
	Power (W)	2335	
	Protector	External overload protection	
	Starting method	By capacitor	
	Working temp.	Exhaust temperature ≤ 115℃	
	Condenser	Aluminum-copper	
	Pipe-diameter	φ 9.52	
	Working area(m ²)	0.65	
	Fan motor speed(rpm)	840	
	Type-piece	Axial fan-1	
	Diameter(mm)	φ 460	
	Defrosting method	Auto defrost	
	Noise(dB(A))	59	
	Dimension(mm)(width-height-depth)	950 × 700 × 410	
Net weight(Kg)	59		
Refrigerant charge(kg)	R22 2.0		
Connecting pipe	Outer diameter	Liquid pipe (mm)	φ 3/8"
		Gas pipe (mm)	φ 5/8"
	Max distance	Height (m)	5
		Length (m)	10

The technical data are subject to change without notice .Please refer to the nameplate of the unit.

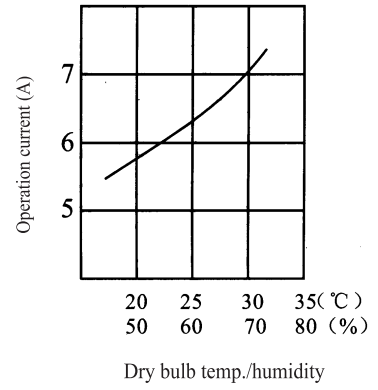
3. Performance curves

The change relation between low pressure, operation current and temp.

Cooling operation condition: In testing, indoor and outdoor have same work condition.



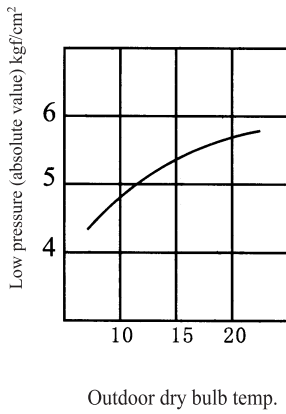
(a)



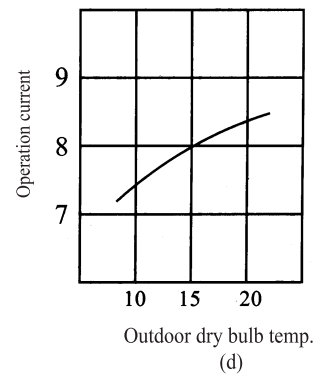
(b)

Heating operation

Indoor work condition: dry bulb temp. 21°C, wet bulb temp. 15.5°C.

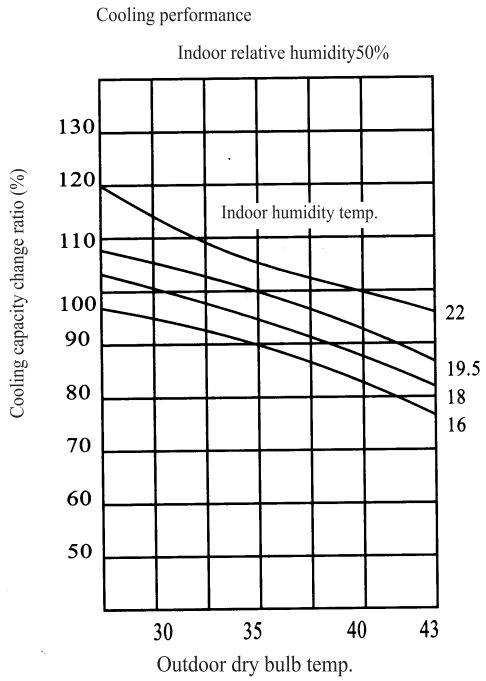


(c)

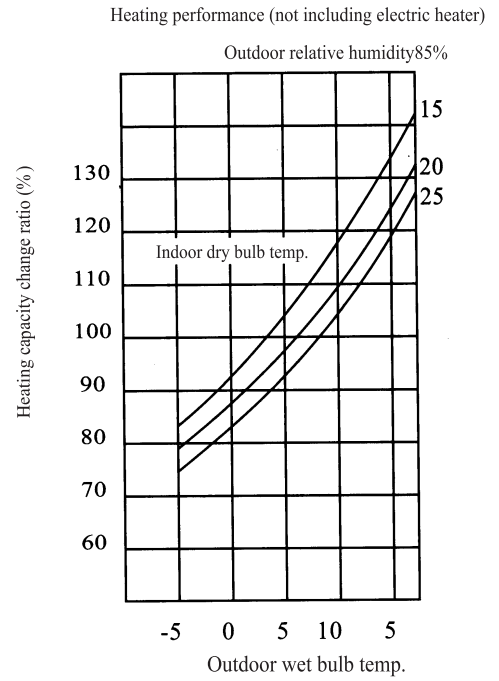


(d)

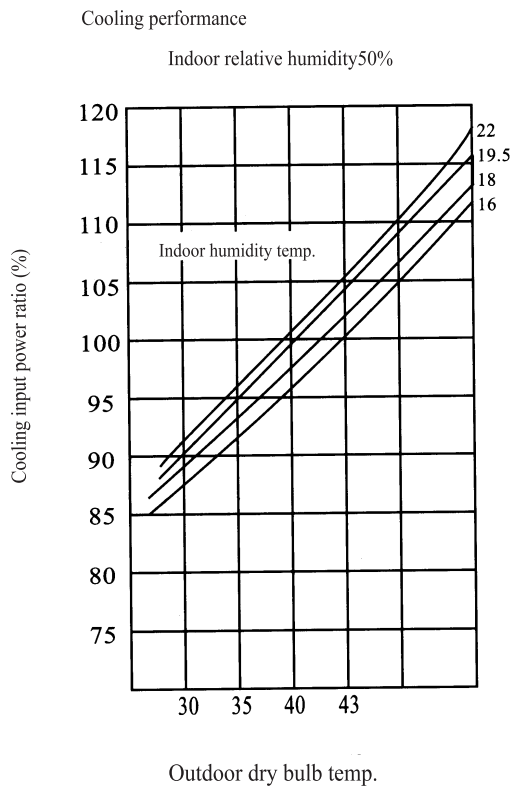
figure 2



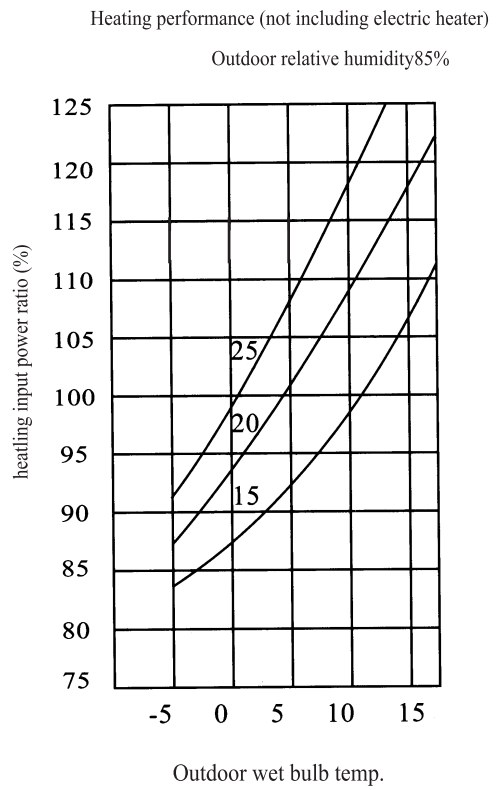
(a)



(b)

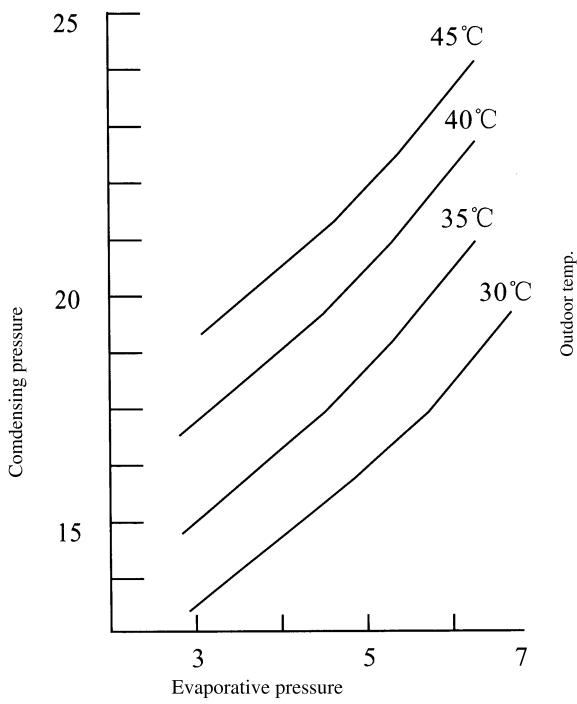


(c)



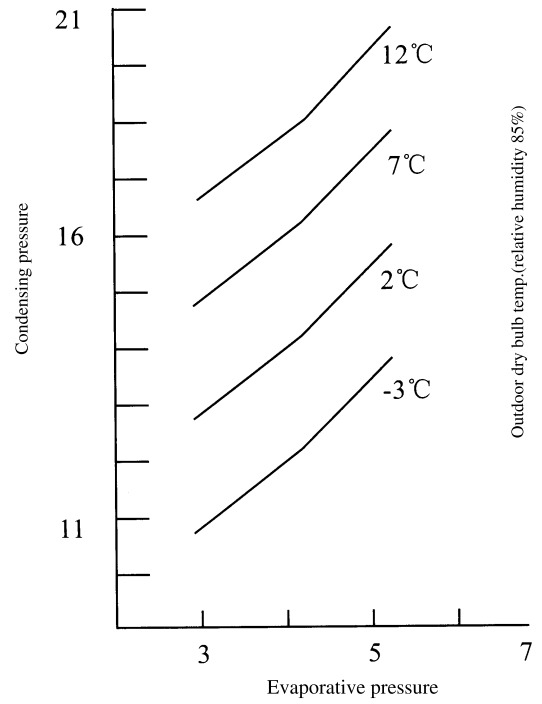
(d)

figure 3

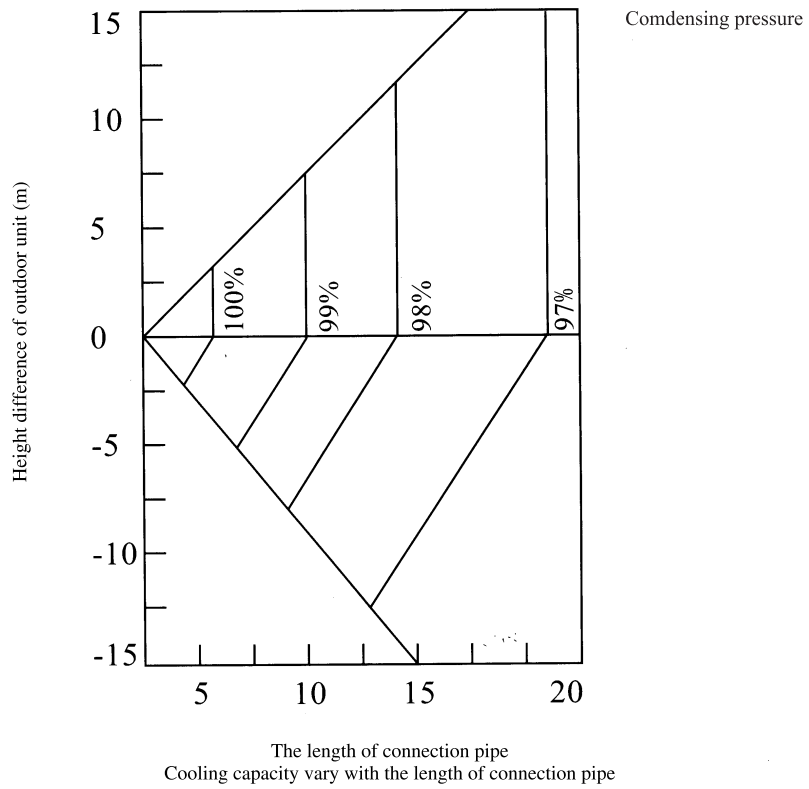


The affection to the charging quantity by pressure under cooling work condition.
 The affection to the charging quantity by pressure under cooling work condition.
 (Indoor work condition:dry bulb 27°C ,wet bulb 19.5°C) (Indoor work condition:dry bulb 21°C)

(e)



(f)



The length of connection pipe
 Cooling capacity vary with the length of connection pipe

figure 4

4. Outlines and dimensions of indoor unit

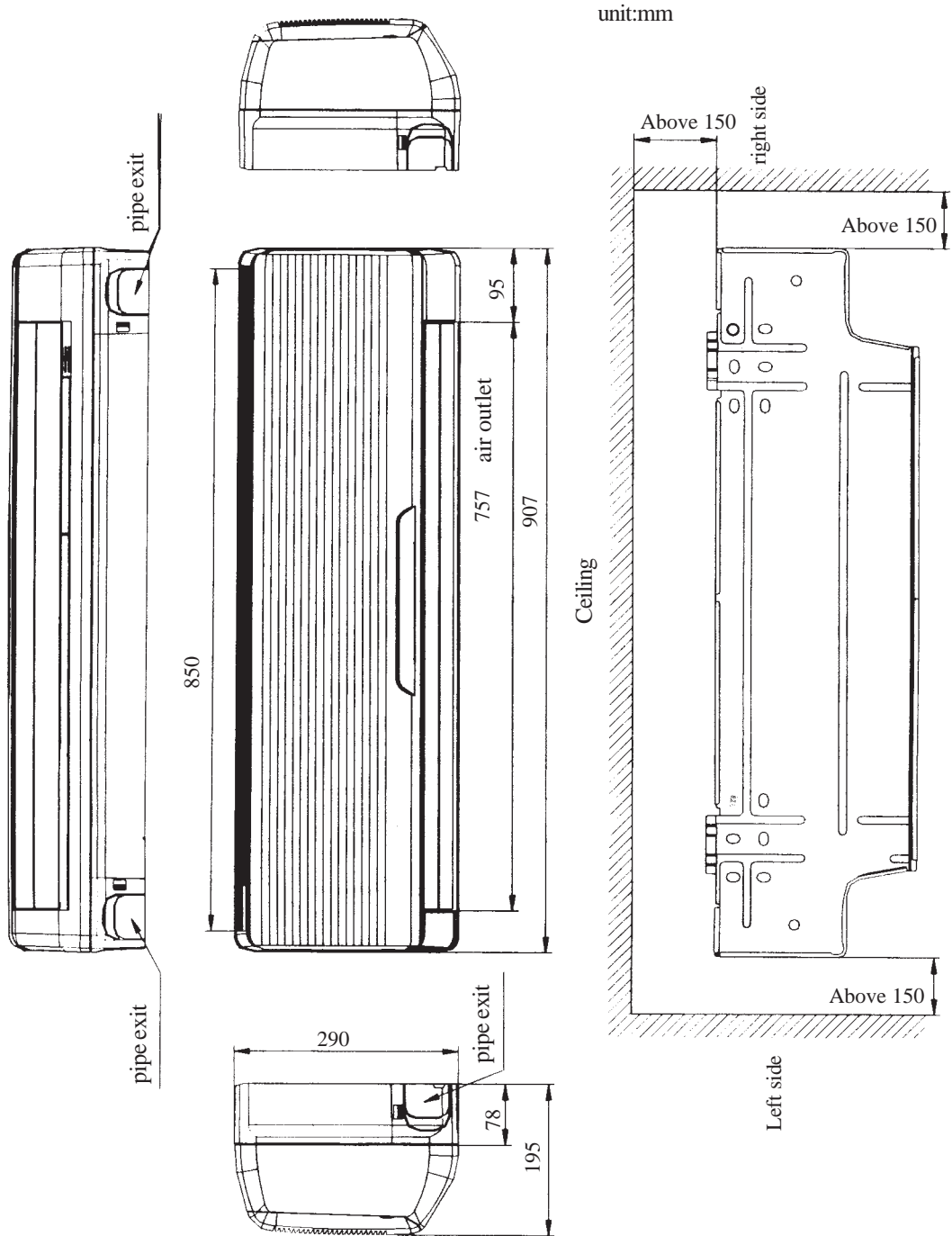
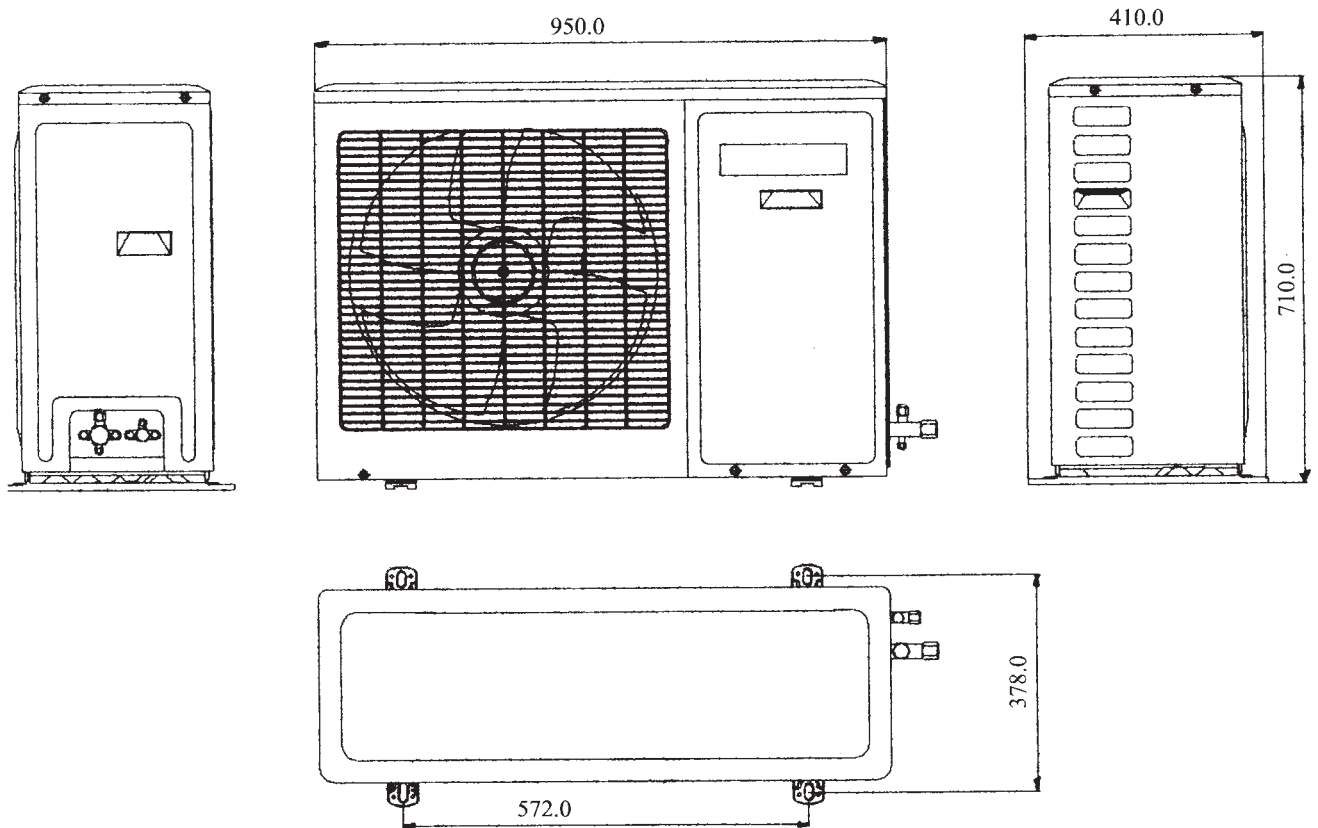


figure 5

5. Outlines and dimensions of outdoor unit



unit:mm

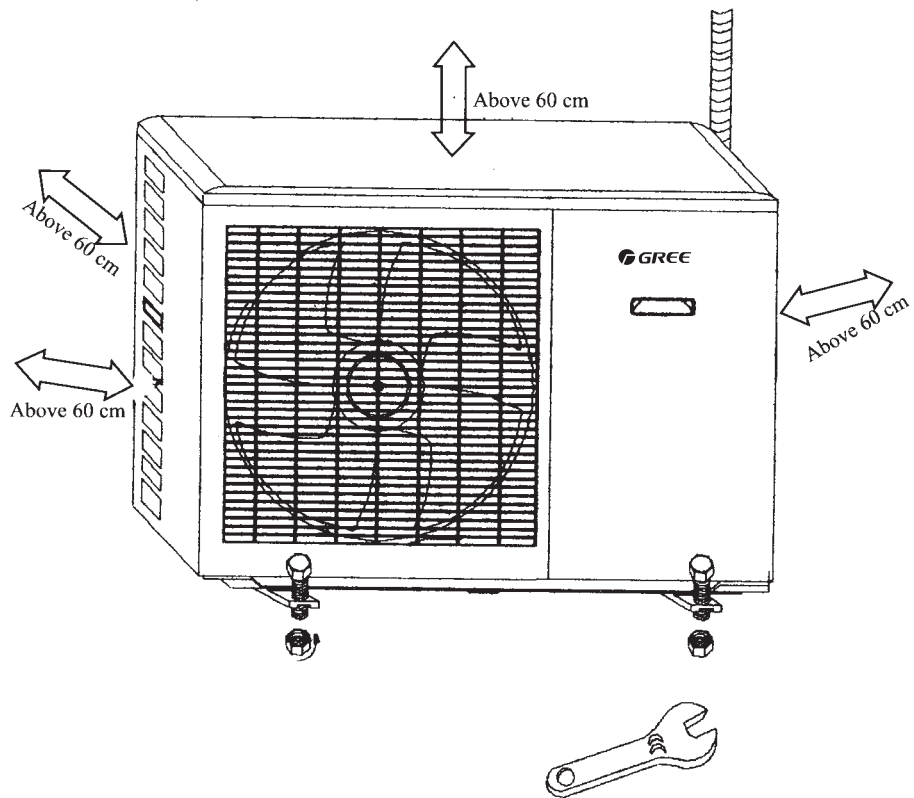


figure 6

(Blank)

6. Explosive view and spare parts list of indoor unit

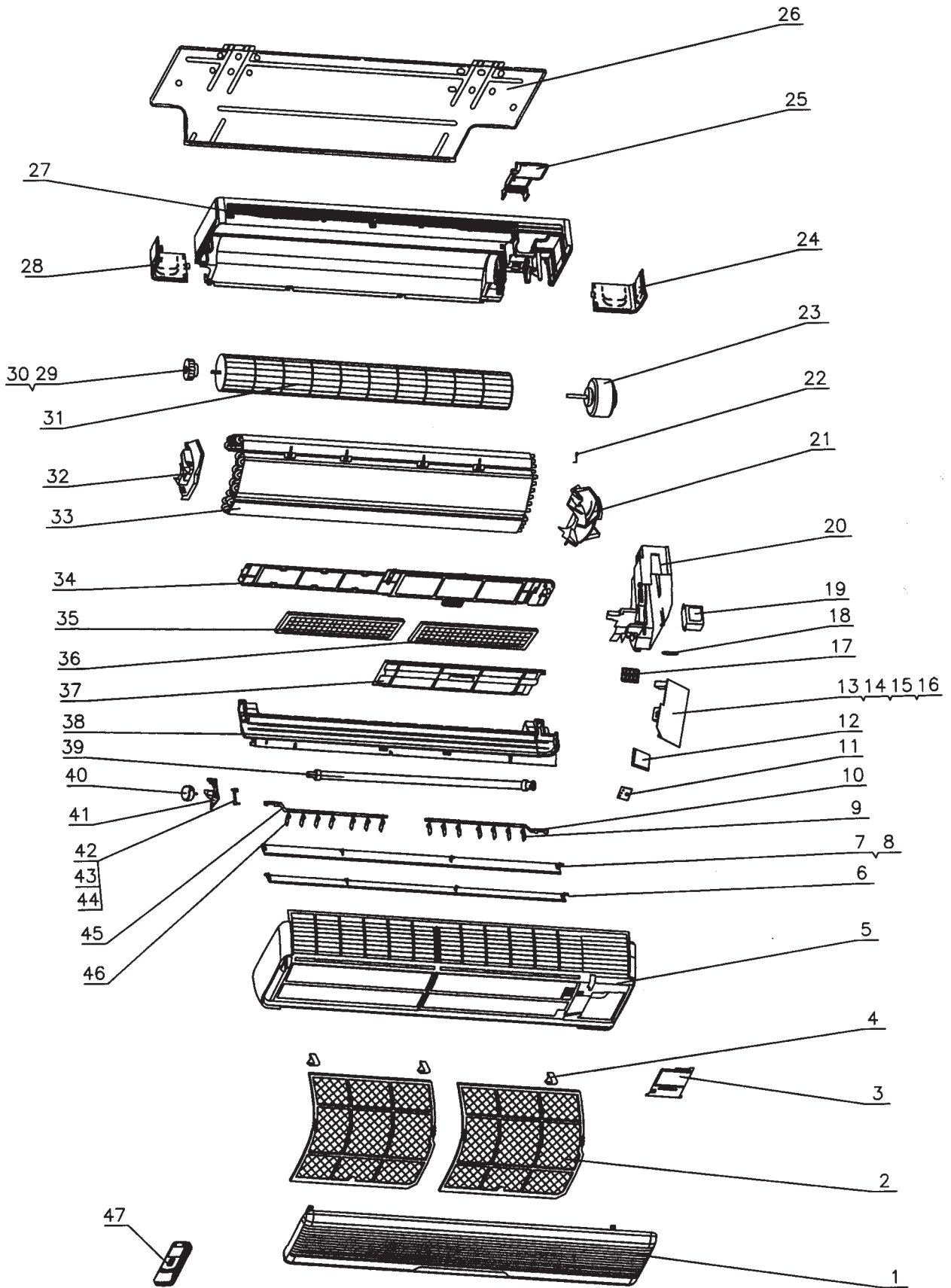


figure 7

Feng Yun Series

Table 10

No.	Description		Part No.				Qty
			KF- 50G/A10	KFR- 50G/A10	KF- 60G/A10	KFR- 60G/A10	
1	Front Panel	面板	20002010	20002010	20002010	20002010	1
2	Filter	过滤网	11122022	11122022	11122022	11122022	2
3	Electric Box Cover	电器盒盖	20102011	20102011	20102011	20102011	1
4	Screw Cover	螺钉盖	24252011	24252011	24252011	24252011	3
5	Front Case Assy	面板体部件	20002013	20002013	20002013	20002013	1
6	Lower Guide Louver	下导风板	10512012	10512012	10512012	10512012	1
7	Upper Guide Louver	上导风板	10512011	10512011	10512011	10512011	1
8	Guide Louver Bearing	导风板轴套	10542011	10542011	10542011	10542011	6
9	Right Swing Louver	右扫风叶片	10512014	10512014	10512014	10512014	7
10	Right Connecting Lever	扫风叶片右连杆	10582015	10582015	10582015	10582015	1
11	LED Board	接收板	30046005	30046005	30046005	30046005	1
12	LED Holder	指示灯架	24212007	24212007	24212007	24212007	1
13	PCB 5D51-2	控制器5D51-2	30025521	\	\	\	1
	PCB 5D52-2	控制器5D52-2	\	30025522	\	\	1
	PCB 5D51H2	控制器5D51H2	\	\	30025524	\	1
	PCB 5D52H2	控制器5D52H2	\	\	\	30025525	1
14	Tube Sensor	管温感温包	39000120	39000057	39000120	39000057	1
15	Room Sensor	室温感温包	39000042	390000	39000042	39000042	1
16	Fuse 3.15A 250VAC	保险管 3.15A	46010014	46010014	46010014	46010014	1
17	Terminal Board	四位接线板T4B3A-734	2011039	42011039	42011039	42011039	1
18	Wire Clip	压线片	70482401	70482401	70482401	70482401	2
19	Transformer	电源变压器 SC31	43110176	43110176	43110176	43110176	1
20	Electric Box	电器盒	20102012	20102012	20102012	20102012	1
21	Right Evaporator Supporter	蒸发器右固定块	01072012	01072012	01072012	01072012	1
22	Sensor Insert	感温头插片 A	42020064	42020064	42020064	42020064	1
23	Motor FN20D-PG	电机 FN20D-PG	15012102	15012102	15012102	15012102	1
24	Right gate	底壳右出管板	26112012	26112012	26112012	26112012	1
25	Pipe Clamp	连接管压块	24242014	24242014	24242014	24242014	1
26	Wall-Mounting Frame	壁挂板	01252200	01252200	01252200	01252200	1
27	Rear Case	底壳	22202011	22202011	22202011	22202011	1
28	Left Gate	底壳左出管板	26112011	26112011	26112011	26112011	1
29	Ring of Bearing	轴承胶圈	76512205	76512205	76512205	76512205	1
30	Fan Bearing	风扇轴承	76512210	76512210	76512210	76512210	1
31	Cross Flow Fan	横流风叶	10352021	10352021	10352021	10352021	1
32	Left Evaporator Supporter	蒸发器左固定块	01072011	01072011	01072011	01072011	1
33	Evaporator Assy	蒸发器部件	01002470	01002470	1002009	1002009	1
34	Air Cleaner holder	净化器固定架	24222014	24222014	24222014	24222014	1
35	Air Cleaner A	净化器滤网 A	11012021	11012021	11012021	11012021	1
36	Air Cleaner B	净化器滤网 B	11012022	11012022	11012022	11012022	1
37	Air Cleaner Frame	净化器上框	26112013	26112013	26112013	26112013	1
38	Water Tray Assy	接水盘部件	20182010	20182010	20182010	20182010	1
39	Drainage Pipe	排水管	05232004	05232004	05232004	05232004	1
40	Stepping Motor MP24EA	步进电机 MP24EA	15212101	15212101	15212101	15212101	1
41	Stepping Motor Backseat	导风电机座	26152011	26152011	26152011	26152011	1
42	Upper Swing Lever	上摆杆	10582011	10582011	10582011	10582011	1
43	Lower Swing Lever	下摆杆	10582012	10582012	10582012	10582012	1
44	Connecting Lever	连杆	10582013	10582013	10582013	10582013	1
45	Left Connecting Lever	扫风叶片左连杆	10582014	10582014	10582014	10582014	1
46	Left Swing Louver	左扫风叶片	10512013	10512013	10512013	10512013	7
47	Remote Controller	遥控器 Y512	30512505	30512505	30512505	30512505	1

The data are subject to change without notice.

Feng Yun Series

Table 11

No.	Description		Part No.				Qty
			KF- 50G/NA1	KFR- 50G/NA1	KF- 60G/NA10	KFR- 60G/NA10	
1	Front Panel	面板	20002010	20002010	20002010	20002010	1
2	Filter	过滤网	11122022	11122022	11122022	11122022	2
3	Electric Box Cover	电器盒盖	20102011	20102011	20102011	20102011	1
4	Screw Cover	螺钉盖	24252011	24252011	24252011	24252011	3
5	Front Case Assy	面板体部件	20002013	20002013	20002013	20002013	1
6	Lower Guide Louver	下导风板	10512012	10512012	10512012	10512012	1
7	Upper Guide Louver	上导风板	10512011	10512011	10512011	10512011	1
8	Guide Louver Bearing	导风板轴套	10542011	10542011	10542011	10542011	6
9	Right Swing Louver	右扫风叶片	10512014	10512014	10512014	10512014	7
10	Right Connecting Lever	扫风叶片右连杆	10582015	10582015	10582015	10582015	1
11	LED Board	接收板	30046005	30046005	30046005	30046005	1
12	LED Holder	指示灯架	24212007	24212007	24212007	24212007	1
13	PCB 5D51-2	控制器5D51-2	30025521	\	\	\	1
	PCB 5D52-2	控制器5D52-2	\	30025522	\	\	1
	PCB 5D51H2	控制器5D51H2	\	\	30025524	\	1
	PCB 5D52H2	控制器5D52H2	\	\	\	30025525	1
14	Tube Sensor	管温感温包	39000120	39000057	39000120	39000057	1
15	Room Sensor	室温感温包	39000042	39000042	39000042	39000042	1
16	Fuse 3.15A 250VAC	保险管 3.15A	46010014	46010014	46010014	46010014	1
17	Terminal Board	四位接线板T4B3A-73	42011039	42011039	42011039	42011039	1
18	Wire Clip	压线片	70482401	70482401	70482401	70482401	2
19	Transformer	电源变压器 SC31	43110176	43110176	43110176	43110176	1
20	Electric Box	电器盒	20102012	20102012	20102012	20102012	1
21	Right Evaporator Supporter	蒸发器右固定块	01072012	01072012	01072012	01072012	1
22	Sensor Insert	感温头插片 A	42020064	42020064	42020064	42020064	1
23	Motor FN20D-PG	电机 FN20D-PG	15012102	15012102	15012102	15012102	1
24	Right gate	底壳右出管板	26112012	26112012	26112012	26112012	1
25	Pipe Clamp	连接管压块	24242014	24242014	24242014	24242014	1
26	Wall-Mounting Frame	壁挂板	01252200	01252200	01252200	01252200	1
27	Rear Case	底壳	22202011	22202011	22202011	22202011	1
28	Left Gate	底壳左出管板	26112011	26112011	26112011	26112011	1
29	Ring of Bearing	轴承胶圈	76512205	76512205	76512205	76512205	1
30	Fan Bearing	风扇轴承	76512210	76512210	76512210	76512210	1
31	Cross Flow Fan	贯流风叶	10352021	10352021	10352021	10352021	1
32	Left Evaporator Supporter	蒸发器左固定块	01072011	01072011	01072011	01072011	1
33	Evaporator Assy	蒸发器部件	01002470	01002470	01002009	01002009	1
34	Air Cleaner holder	净化器固定架	24222014	24222014	24222014	24222014	1
35	Air Cleaner A	净化器滤网 A	11012021	11012021	11012021	11012021	1
36	Air Cleaner B	净化器滤网 B	11012022	11012022	11012022	11012022	1
37	Air Cleaner Frame	净化器上框	26112013	26112013	26112013	26112013	1
38	Water Tray Assy	接水盘部件	20182010	20182010	20182010	20182010	1
39	Drainage Pipe	排水管	05232004	05232004	05232004	05232004	1
40	Stepping Motor MP24EA	步进电机 MP24EA	15212101	15212101	15212101	15212101	1
41	Stepping Motor Backseat	导风电机座	26152011	26152011	26152011	26152011	1
42	Upper Swing Lever	上摆杆	10582011	10582011	10582011	10582011	1
43	Lower Swing Lever	下摆杆	10582012	10582012	10582012	10582012	1
44	Connecting Lever	连杆	10582013	10582013	10582013	10582013	1
45	Left Connecting Lever	扫风叶片左连杆	10582014	10582014	10582014	10582014	1
46	Left Swing Louver	左扫风叶片	10512013	10512013	10512013	10512013	7
47	Remote Controller	遥控器 Y512	30512505	30512505	30512505	30512505	1

The data are subject to change without notice.

Feng Yun Series

Table 12

No.	Description		Part No.				Qty
			KF-50G/A10-12206	KFR-50G/A10-12206	GSW24-22L/A(I)	GSW24-22R/A(I)	
1	Front Panel	面板	20002010	20002010	20002010	20002010	1
2	Filter	过滤网	11122022	11122022	11122022	11122022	2
3	Electric Box Cover	电器盒盖	20102011	20102011	20102011	20102011	1
4	Screw Cover	螺钉盖	24252011	24252011	24252011	24252011	3
5	Front Case Assy	面板体部件	20002013	20002013	20002013	20002013	1
6	Lower Guide Louver	下导风板	10512012	10512012	10512012	10512012	1
7	Upper Guide Louver	上导风板	10512011	10512011	10512011	10512011	1
8	Guide Louver Bearing	导风板轴套	10542011	10542011	10542011	10542011	6
9	Right Swing Louver	右扫风叶片	10512014	10512014	10512014	10512014	7
10	Right Connecting Lever	扫风叶片右连杆	10582015	10582015	10582015	10582015	1
11	LED Board	接收板	30046031	30046031	30046031	30046031	1
12	LED Holder	指示灯架	24212007	24212007	24212007	24212007	1
13	PCB 5D51-	控制器 5D51-E2J	30025546	\	\	\	1
	PCB 5D52-	控制器 5D52-E2J	\	30025548	\	\	1
	PCB 5D51H	控制器 5D51H2J	\	\	30025547	\	1
	PCB 5D52H1	控制器 5D52H2J	\	\	\	30025549	1
14	Tube Sensor	管温感温包	39000120	39000057	39000120	39000057	1
15	Room Sensor	室温感温包	39000042	39000042	39000042	39000042	1
16	Fuse 3.15A 250VAC	保险管 3.15A	46010014	46010014	46010014	46010014	1
17	Terminal Board	四位接线板 T4B3A-73	42011039	42011039	42011039	42011039	1
18	Wire Clip	压线片	70482401	70482401	70482401	70482401	2
19	Transformer	电源变压器 SC31	43110176	43110176	43110176	43110176	1
20	Electric Box	电器盒	20102012	20102012	20102012	20102012	1
21	Right Evaporator Supporter	蒸发器右固定块	01072012	01072012	01072012	01072012	1
22	Sensor Insert	感温头插片 A	42020064	42020064	42020064	42020064	1
23	Motor FN20P-PG	电机 FN20P-PG	15012104	15012104	15012104	15012104	1
24	Right gate	底壳右出管板	26112012	26112012	26112012	26112012	1
25	Pipe Clamp	连接管压块	24242014	24242014	24242014	24242014	1
26	Wall-Mounting Frame	壁挂板	01252200	01252200	01252200	01252200	1
27	Rear Case	底壳	22202011	22202011	22202011	22202011	1
28	Left Gate	底壳左出管板	26112011	26112011	26112011	26112011	1
29	Ring of Bearing	轴承胶圈	76512205	76512205	76512205	76512205	1
30	Fan Bearing	风扇轴承	76512210	76512210	76512210	76512210	1
31	Cross Flow Fan	贯流风叶	10352021	10352021	10352021	10352021	1
32	Left Evaporator Supporter	蒸发器左固定块	01072011	01072011	01072011	01072011	1
33	Evaporator Assy	蒸发器部件	01002470	01002470	01002009	01002009	1
34	Air Cleaner holder	净化器固定架	24222014	24222014	24222014	24222014	1
35	Air Cleaner A	净化器滤网 A	11012021	11012021	11012021	11012021	1
36	Air Cleaner B	净化器滤网 B	11012022	11012022	11012022	11012022	1
37	Air Cleaner Frame	净化器上框	26112013	26112013	26112013	26112013	1
38	Water Tray Assy	接水盘部件	20182010	20182010	20182010	20182010	1
39	Drainage Pipe	排水管	05232004	05232004	05232004	05232004	1
40	Stepping Motor MP24EA	步进电机 MP24EA	15212101	15212101	15212101	15212101	1
41	Stepping Motor Backseat	导风电机座	26152011	26152011	26152011	26152011	1
42	Upper Swing Lever	上摆杆	10582011	10582011	10582011	10582011	1
43	Lower Swing Lever	下摆杆	10582012	10582012	10582012	10582012	1
44	Connecting Lever	连杆	10582013	10582013	10582013	10582013	1
45	Left Connecting Lever	扫风叶片左连杆	10582014	10582014	10582014	10582014	1
46	Left Swing Louver	左扫风叶片	10512013	10512013	10512013	10512013	7
47	Remote Controller	遥控器 Y512	30512505	30512505	30512505	30512505	1

The data are subject to change without notice.

Feng Yun Series

Table 13

No	Description		Part No.				Qty
			KT3F-60G/A10	KT3FR-60G/A10	KT3F-60G/A10-12206	KT3FR-60G/A10-12206	
1	Front Panel	面板	20002010	20002010	20002010	20002010	1
2	Filter	过滤网	11122022	11122022	11122022	11122022	2
3	Electric Box Cover	电器盒盖	20102011	20102011	20102011	20102011	1
4	Screw Cover	螺钉盖	24252011	24252011	24252011	24252011	3
5	Front Case Assy	面板体	20002012	20002012	20002012	20002012	1
6	Lower Guide Louver	下导风板	10512012	10512012	10512012	10512012	1
7	Upper Guide Louver	上导风板	10512011	10512011	10512011	10512011	1
8	Guide Louver Bearing	导风板轴套	10542011	10542011	10542011	10542011	6
9	Right Swing Louver	右扫风叶片	10512014	10512014	10512014	10512014	7
10	Right Connecting Lever	扫风叶片右连杆	10582015	10582015	10582015	10582015	1
11	LED Board	接收板	30046031	30046031	30046031	30046031	1
12	LED Holder	指示灯架	24212007	24212007	24212007	24212007	1
13	PCB 5D52H	控制器 5D52H2J	\	30025549	\	30025549	1
13	PCB 5D51H	控制器 5D51H2J	30025567	\	30025567	\	1
14	Tube Sensor	管温感温包	39000120	39000057	39000120	39000057	1
15	Room Sensor	室温感温包	39000042	39000042	39000042	39000042	1
16	Fuse 3.15A 250VAC	保险管 3.15A	46010014	46010014	46010014	46010014	1
17	Terminal Board	四位接线板 T4B3A-73	42011039	42011039	42011039	42011039	1
18	Wire Clip	压线片	70482401	70482401	70482401	70482401	2
19	Transformer	电源变压器 SC31	43110176	43110176	43110176	43110176	1
20	Electric Box	电器盒	20102012	20102012	20102012	20102012	1
21	Right Evaporator Supporter	蒸发器右固定块	01072012	01072012	01072012	01072012	1
22	Sensor Insert	感温头插片 A	42020064	42020064	42020064	42020064	1
23	Motor FN20D-PG	电机 FN20D-PG	15012102	15012102	\	\	1
23	Motor FN20P-PG	电机 FN20P-PG	\	\	15012104	15012104	1
24	Right gate	底壳右出管板	26112012	26112012	26112012	26112012	1
25	Pipe Clamp	连接管压块	24242014	24242014	24242014	24242014	1
26	Wall-Mounting Frame	壁挂板	01252200	01252200	01252200	01252200	1
27	Rear Case	底壳部件	22202010	22202010	22202308	22202308	1
28	Left Gate	底壳左出管板	26112011	26112011	26112011	26112011	1
29	Ring of Bearing	轴承胶圈	76512205	76512205	76512205	76512205	1
30	Fan Bearing	风扇轴承	76512210	76512210	76512210	76512210	1
31	Cross Flow Fan	贯流风叶	10352021	10352021	10352021	10352021	1
32	Left Evaporator Supporter	蒸发器左固定块	01072011	01072011	01072011	01072011	1
33	Evaporator Assy	蒸发器部件	01002009	01002009	01002009	01002009	1
34	Air Cleaner holder	净化器固定架	24222014	24222014	24222014	24222014	1
35	Air Cleaner A	净化器滤网 A	11012021	11012021	11012021	11012021	1
36	Air Cleaner B	净化器滤网 B	11012022	11012022	11012022	11012022	1
37	Air Cleaner Frame	净化器上框	26112013	26112013	26112013	26112013	1
38	Water Tray Assy	接水盘部件	20182010	20182010	20182010	20182010	1
39	Drainage Pipe	排水管	05232004	05232004	05232004	05232004	1
40	Stepping Motor MP24EA	步进电机 MP24EA	15212101	15212101	15212101	15212101	1
41	Stepping Motor Backseat	导风电机座	26152011	26152011	26152011	26152011	1
42	Upper Swing Lever	上摆杆	10582011	10582011	10582011	10582011	1
43	Lower Swing Lever	下摆杆	10582012	10582012	10582012	10582012	1
44	Connecting Lever	连杆	10582013	10582013	10582013	10582013	1
45	Left Connecting Lever	扫风叶片左连杆	10582014	10582014	10582014	10582014	1
46	Left Swing Louver	左扫风叶片	10512013	10512013	10512013	10512013	7
47	Remote Controller	遥控器 Y512(GREE)	30512505	30512505	30512505	30512505	1

The data are subject to change without notice.

Feng Yun Series

Table 14

No.	Description		Part No.	Qty
			KFR-60G/A10-12405	
1	Front Panel	面板	20002010	1
2	Filter	过滤网	11122022	2
3	Electric Box Cover	电器盒盖	20102011	1
4	Screw Cover	螺钉盖	24252011	3
5	Front Case Assy	面板体部件	20002013	1
6	Lower Guide Louver	下导风板	10512012	1
7	Upper Guide Louver	上导风板	10512011	1
8	Guide Louver Bearing	导风板轴套	10542011	6
9	Right Swing Louver	右扫风叶片	10512014	7
10	Right Connecting Lever	扫风叶片右连杆	10582015	1
11	LED Board	接收板	30046005	1
12	LED Holder	指示灯架	24212007	1
13	PCB5D52H2	控制器5D52H2	30025525	1
14	Tube Sensor	管温感温包	39000057	1
15	Room Sensor	室温感温包	39000042	1
16	Fuse 3.15A 250VAC	保险管 3.15A	46010014	1
17	Terminal Board	四位接线板 T4B3A-73	42011039	1
18	Wire Clip	压线片	70482401	2
19	Transformer	电源变压器 SC31-A	43110181	1
20	Electric Box	电器盒	20102012	1
21	Right Evaporator Supporter	蒸发器右固定块	01072012	1
22	Sensor Insert	感温头插片 A	42020064	1
23	Motor FN20A-PG	电机FN20A-PG	15012109	1
24	Right gate	底壳右出管板	26112012	1
25	Pipe Clamp	连接管压块	24242014	1
26	Wall-Mounting Frame	壁挂板	01252200	1
27	Rear Case	底壳	22202011	1
28	Left Gate	底壳左出管板	26112011	1
29	Ring of Bearing	轴承胶圈	76512205	1
30	Fan Bearing	风扇轴承	76512210	1
31	Cross Flow Fan	贯流风叶	10352021	1
32	Left Evaporator Supporter	蒸发器左固定块	01072011	1
33	Evaporator Assy	蒸发器部件	01002009	1
34	Air Cleaner holder	净化器固定架	24222014	1
35	Air Cleaner A	净化器滤网 A	11012021	1
36	Air Cleaner B	净化器滤网 B	11012022	1
37	Air Cleaner Frame	净化器上框	26112013	1
38	Water Tray Assy	接水盘部件	20182010	1
39	Drainage Pipe	排水管	05232004	1
40	Stepping Motor MP24EA	步进电机MP24EA	15212101	1
41	Stepping Motor Backseat	导风电机座	26152011	1
42	Upper Swing Lever	上摆杆	10582011	1
43	Lower Swing Lever	下摆杆	10582012	1
44	Connecting Lever	连杆	10582013	1
45	Left Connecting Lever	扫风叶片左连杆	10582014	1
46	Left Swing Louver	左扫风叶片	10512013	7
47	Remote Controller	遥控器 Y512	30512505	1
48	Power Cord	电源线	40020325	1
49	Connecting Cable	电源连接线	40020427	1
50	Signal Cable	信号控制线	40032103	1

The data are subject to change without notice.

7. Explosive view and spare parts list of outdoor unit

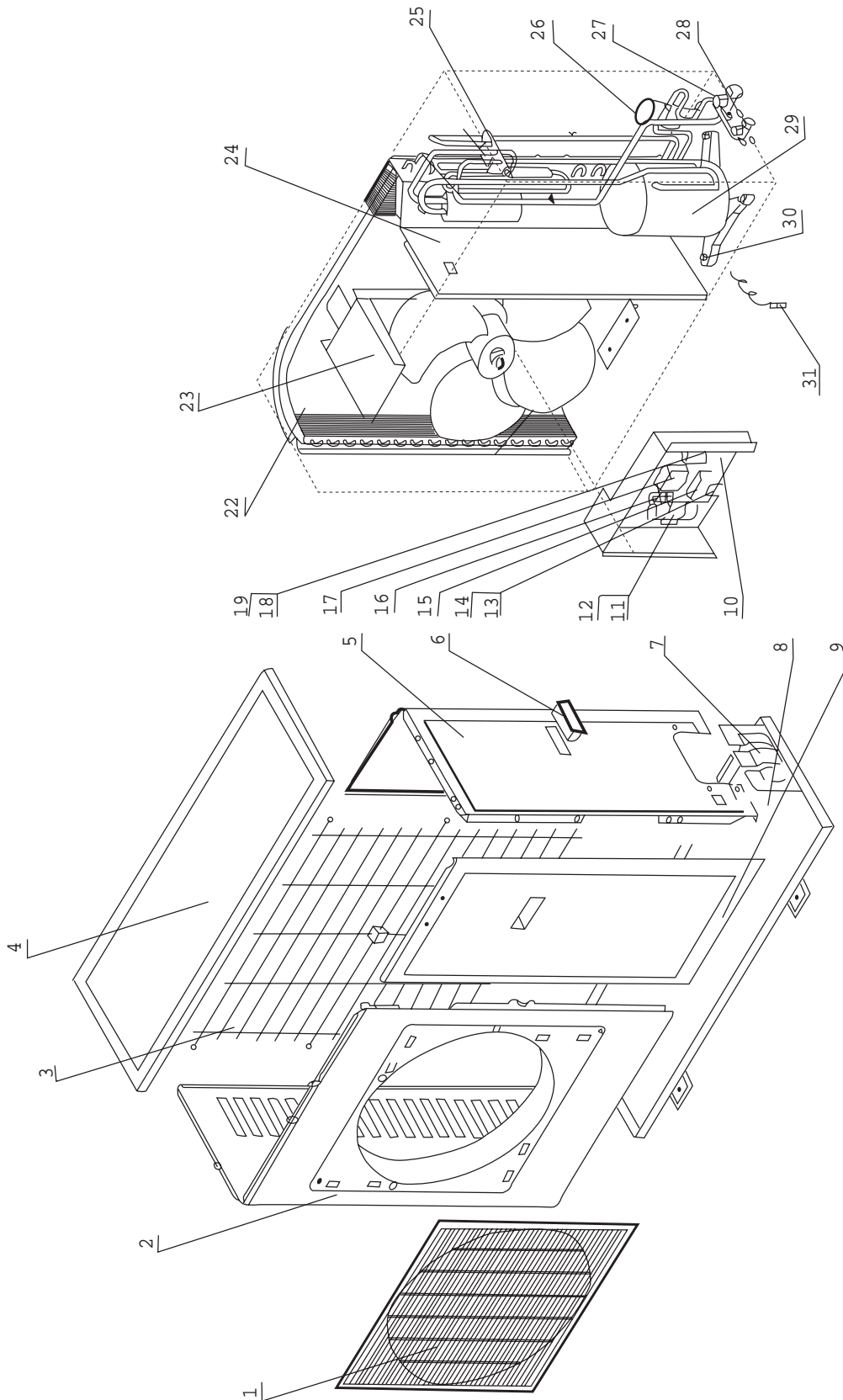


figure 8

Feng Yun Series

Table 15

No.	Description		Part No.				Qty
			KF- 50W/A10	KFR- 50W/A10	KF- 60W/A10	KFR- 60W/A10	
1	Front Grill	面罩组件	22265250	22265250	22265250	22265250	1
2	Front Plate	外罩	01433030	01433030	01433030	01433030	1
3	Rear grill Assy	网罩组件	01473024	01473024	01473024	01473024	1
4	Top cover Assy	顶盖组件	01255260	01255260	01255260	01255260	1
5	Rear Side Plate	后侧板	01305001	01305001	01305001	01305001	1
6	Handle	把手	26235253	26235253	26235253	26235253	2
7	Valve Support	阀门支架	01715256	01715256	01715256	01715256	1
8	Metal Base	底盘部件	01203391	01203391	01205032	01205107	1
9	Front Side Support	前侧板组件	01303019	01303019	01303019	01303019	1
10	Electric Plate	电器盒	20102007	01415010	20102007	01415010	1
11	Capacitor clamp	电容夹	02143442	02143442	02143442	02143442	1
12	Comp Capacitor 50uF	压缩机电容	33010710	33010710	33010710	33010710	1
13	Wire Clamp	电线夹	71010102	71010102	71010102	71010102	2
14	Insulation Gasket C	绝缘垫片 C	\	70410523	\	\	1
	Insulation Gasket D	绝缘垫片 D	70410525	\	70410525	70410525	1
15	Terminal Board	三位接线板	42011073	42011113	42011073	42011113	1
16	Fan Capacitor 2.5uF	风机电容	33010026	33010026	\	\	1
	Fan Capacitor 3uF	风机电容	\	\	33010027	33010027	1
17	Relay	继电器	44020311	44020311	44020311	44020311	1
18	Terminal Board 2-8	2-8 接线板	42011103	42011103	42011103	42011103	1
19	Filter Capacitor	滤波电容 0.33uF	\	33020201	\	33020201	1
20	Axial Flow Fan	轴流风叶	10335257	10335257	10335253	10335253	1
21	Motor LW80D	电机	15015054	15015054	\	\	1
	Motor LW80B	电机	\	\	15015053	15015053	1
22	Condenser Assy	冷凝器组件	01103445	\	\	\	1
	Condenser Assy	冷凝器	\	01133023	\	\	1
	Condenser Assy	冷凝器	\	\	01105132	\	1
	Condenser Assy	冷凝器	\	\	\	01133027	1
23	Motor Support	电机支架	01703027	01703027	01703027	01703027	1
24	Isolation Sheet Assy	中间隔板组件	01233022	01233022	01233022	01233022	1
25	4-way Valve	四通阀	\	43000314	\	43000313	1
	4-way Valve Fittings	四通阀配件	\	430004002	\	430004002	1
26	Capillary Assy	毛细管部件	03003133	03003136	03003137	03003134	1
27	Valve	大阀门 1/2"	07103008	07103008	\	\	1
	Valve	大阀门组件	\	\	07105252	07105252	1
	Valve	阀门 1/4"	07100014	07100014	\	\	1
28	Valve	小阀门组件	\	\	07105256	\	1
	Valve	小阀门组件	\	\	\	07103016	1
29	Compressor SHW33T4C-U	压缩机及配件	00100131	00100131	\	\	1
	Compressor SHV33YE6UU	压缩机及配件	\	\	00100144	00100144	1
30	Nut with Washer M8	带垫螺母	70310014	70310014	70310015	70310015	3
31	Tube Sensor	室外感温头	\	39000006	\	39000006	1

The data are subject to change without notice.

Feng Yun Series

Table 16

No.	Description		Part No.				Qty
			KF- 50W/NA1	KFR- 50W/NA1	KF- 60W/NA10	KFR- 60W/NA10	
1	Front Grill	面罩组件	22265250	22265250	22265250	22265250	1
2	Front Plate	外罩	01433030	01433030	01433030	01433030	1
3	Rear grill Assy	网罩组件	01473024	01473024	01473024	01473024	1
4	Top Cover Assy	顶盖组件	01255260	01255260	01255260	01255260	1
5	Rear Side Plate	后侧板	01305001	01305001	01305001	01305001	1
6	Handle	把手	26235253	26235253	26235253	26235253	2
7	Valve Support	阀门支架	01715256	01715256	01715256	01715256	1
8	Metal Base	底盘部件	01203063	01203063	01203059	01203059	1
9	Front Side Support	前侧板组件	01303019	01303019	01303019	01303019	1
10	Electric Plate	电器盒	20102007	01415010	20102007	01415010	1
11	Capacitor Clamp	电容夹	02143442	02143442	02143442	02143442	1
12	Comp Capacitor 40uF	压缩机电容	33000022	33000022	\	\	1
	Comp Capacitor 35uF	压缩机电容	\	\	33010739	33010739	1
13	Wire Clamp	电线夹	71010102	71010102	71010102	71010102	2
14	Insulation Gasket D	绝缘垫片 D	70410525	70410525	70410525	70410525	1
15	Terminal Board	三位接线板	42011073	42011113	42011073	42011113	1
16	Fan Capacitor	风机电容	33010027	33010027	33010027	33010027	1
17	Relay	继电器	44020311	44020311	44020311	44020311	1
18	Terminal Board 2-8	2-8 接线板	42011103	42011103	42011103	42011103	1
19	Filter Capacitor	滤波电容 0.33uF	\	33020201	\	33020201	1
20	Axial Flow Fan	轴流风叶	10335253	10335253	10335253	10335253	1
21	Motor LW60B	电机	15015205	15015205	\	\	1
	Motor LW80H	电机	\	\	15013107	15013107	1
	Condenser Assy	冷凝器	01133379	\	01133379	\	1
	Condenser Assy	冷凝器	\	01133023	\	\	1
22	Condenser Assy	冷凝器	\	\	\	01133027	1
	Condenser Assy	冷凝器	\	\	\	\	1
23	Motor Support	电机支架	01703027	01703027	01703027	01703027	1
24	Isolation Sheet Assy	中间隔板组件	01233022	01233022	01233022	01233022	1
25	4-way Valve	四通阀	\	43000305	\	43000305	1
	4-way Valve Fittings	四通阀配件	\	430004002	\	430004002	1
26	Capillary Assy	毛细管部件	03003127	03003159	03003162	03003048	1
27	Valve 1/2"	大阀门 1/2"	07100001	07100001	\	\	1
	Valve	大阀门组件	\	\	07105007	07105007	1
	Valve 1/4"	阀门 1/4"	07100131	07100131	\	\	1
28	Valve 3/8"	阀门 3/8"	\	\	07103204	\	1
	Valve 3/8"	阀门 3/8"	\	\	\	07103017	1
29	Compressor C-2RN170H5U	压缩机及配件	00100075	00100075	\	\	1
	Compressor C-RN190H5B	压缩机及配件	\	\	00100064	00100064	1
30	Nut with Washer M8	带垫螺母	70310014	70310014	70310014	70310014	3
31	Tube Sensor	室外感温头	\	39000006	\	39000006	1

The data are subject to change without notice.

Feng Yun Series

Table 17

No.	Description		Part No.				Qty
			KF-50W/A10-12206	KFR-50W/A10-12206	GSW24-22 L/A(O)	GSW24-22 R/A(O)	
1	Front Grill	面罩组件	22265250	22265250	22265250	22265250	1
2	Front Plate	外罩	01433030	01433030	01433030	01433030	1
3	Rear grill Assy	网罩组件	01473024	01473024	01473024	01473024	1
4	Top cover Assy	顶盖组件	01255260	01255260	01255260	01255260	1
5	Rear Side Plate	后侧板	01305001	01305001	01305001	01305001	1
6	Handle	把手	26235253	26235253	26235253	26235253	2
7	Valve Support	阀门支架	01715256	01715256	01715256	01715256	1
8	Metal Base	底盘部件	01203391	01203391	01203058	01203058	1
9	Front Side Support	前侧板组件	01303019	01303019	01303019	01303019	1
10	Electric Plate	电器盒	20102007	01415010	01415010	01415010	1
11	Capacitor clamp	电容夹	02143442	02143442	02143441	02143441	1
12	Comp Capacitor 45uF	压缩机电容	33000012	33000012	\	\	1
	Comp Capacitor 35uF	压缩机电容	\	\	33000027	33000027	1
13	Wire Clamp	电线夹	71010102	71010102	71010102	71010102	2
14	Insulation Gasket D	绝缘垫片 D	70410525	70410525	70410525	70410525	1
15	Terminal Board	三位接线板	42011073	42011113	42010245	42010245	1
16	Fan Capacitor 3uF	风机电容	33010021	33010021	\	33010021	1
	Fan Capacitor 3uF	风机电容	\	\	33010027	\	1
17	Relay	继电器	44020311	44020311	44020311	44020311	1
18	Terminal Board 2-8	2-8 接线板	42011103	42011103	42011103	42011103	1
19	Filter Capacitor	滤波电容 0.33uF	\	33030001	\	33030001	1
20	Axial Flow Fan	轴流风叶	10335257	10335257	10335253	10335253	1
21	Motor FW68B	电机	15013062	15013062	\	\	1
	Motor LW80P	电机	\	\	15012106	15012106	1
	Condenser Assy	冷凝器组件	01103445	\	\	\	1
22	Condenser Assy	冷凝器	\	01133023	\	\	1
	Condenser Assy	冷凝器	\	\	01133379	\	1
	Condenser Assy	冷凝器	\	\	\	01133027	1
23	Motor Support	电机支架	01703027	01703027	01703027	01703027	1
24	Isolation Sheet Assy	中间隔板组件	01233022	01233022	01233022	01233022	1
25	4-way Valve	四通阀	\	43000314	\	43000313	1
	4-way Valve Fittings	四通阀配件	\	430004002	\	430004002	1
26	Capillary Assy	毛细管组件	03003125	03003126	03003140	03003043	1
27	Valve 1/2"	大阀门 1/2"	07103008	07103008	\	\	1
	Valve 5/8"	大阀门组件	\	\	07105252	07105252	1
	Valve 1/4"	阀门 1/4"	07100014	07100014	\	\	1
28	Valve	小阀门组件	\	07105256	\	1	4
	Valve	小阀门组件	\	\	07103016	1	4
29	Compressor SHZ73LC2-U	压缩机及配件	00100105	00100105	\	\	1
	Compressor CIDQ-0200-PPV-506	压缩机及配件	\	\	00100010	00100010	1
30	Nut with Washer M8	带垫螺母	70310014	70310014	70310014	70310014	3
31	Tube Sensor	室外感温头	\	39000006	\	39000006	1

The data are subject to change without notice.

Feng Yun Series

Table 18

No	Description		Part No.				Qty
			KT3F-60W/A10	KT3FR-60W/A10	KT3FR-60W/A10-12206	KT3FR-60W/A10-12206	
1	Front Grill	面罩组件	22265250	22265250	22265250	22265250	1
2	Front Plate	外罩	01433030	01433030	01433030	01433030	1
3	Rear grill Assy	网罩组件	01473024	01473024	01473024	01473024	1
4	Top cover Assy	顶盖组件	01255260	01255260	01255260	01255260	1
5	Rear Side Plate	后侧板	01305001	01305001	01305001	01305001	1
6	Handle	把手	26235253	26235253	26235253	26235253	1
7	Valve Support	阀门支架	01715256	01715256	01715256	01715256	1
8	Metal Base	底盘部件	01203058	01203058	01203058	01205010	1
9	Front Side Support	前侧板组件	01303019	01303019	01303019	01303019	1
10	Electric Plate	电器盒	01415010	01415010	01415010	01415011	1
11	Capacitor clamp	电容夹	02143441	02143441	02143441	02143441	1
12	Comp Capacitor 40uF	电容CBB65 40uF/450V(440V)	\	\	33000023	33000023	1
	Comp Capacitor 45uF	电容CBB65 45uF/440VAC(450V)	33000012	33000012	\	\	1
13	Wire Clamp	电线夹	71010102	71010102	71010102	71010102	2
14	Insulation Gasket D	绝缘垫片 D	70410525	70410525	70410525	70410525	1
15	Terminal Board	接线板 T360I	42010245	42010245	42010245	42010245	1
16	Fan Capacitor 3uF	电容CBB61 3uF/450V	33010027	33010027	\	\	1
16	Fan Capacitor 3.5uF	电容CBB61 3.5MF/450V	\	\	33010010	33010010	1
17	Start Relay	启动继电器 3ARR3U10AS3/JDQ1-6	44020306	44020306	\	\	1
	Start Relay	启动继电器 3ARR3CT24S5	\	\	44020329	44020329	1
18	Terminal Board 2-8	2-8 接线板	42011103	42011103	42011103	42011103	1
19	Capacitor 145-174uF/250VAC	电容 145-174uF/250VAC	33010713	33010713	33010713	33010713	1
20	Axial Flow Fan	轴流风叶	10335257	10335257	10335257	10335257	1
21	Motor LW80D	电机 LW80D	15015054	15015054	\	\	1
21	Motor LW80B	电机FW68B	\	\	15013062	15013062	1
22	Condenser Assy	冷凝器组件	01133379	01133027	01133379	01133027	1
23	Motor Support	电机支架	01703027	01703027	01703027	01703027	1
24	Isolation Sheet Assy	中间隔板组件	01233022	01233022	01233022	01233022	1
25	4-way Valve	四通阀 STF-0202	\	43000313	\	43000313	1
	4-way Valve Fittings	四通阀配件	\	430004002	\	430004002	1
26	Capillary Assy	毛细管组件	03003144	03003163	03003144	03003042	1
27	Valve 5/8"	大阀门组件	07105252	07105252	07105252	07105252	1
28	Valve 3/8"	小阀门组件	07105256	07103016	07105256	07100016	1
29	Compressor CI24KQ-PFV-240BN	压缩机	\	\	00100013	00100013	1
	Compressor CI32KQ-PFZ-240	压缩机	00100014	0100014	\	\	1
30	Nut with Washer M8	带垫螺母 M8	70310014	70310014	70310014	70310014	3
31	Tube Sensor	室外感温头	\	39000006	\	39000006	1

The data are subject to change without notice.

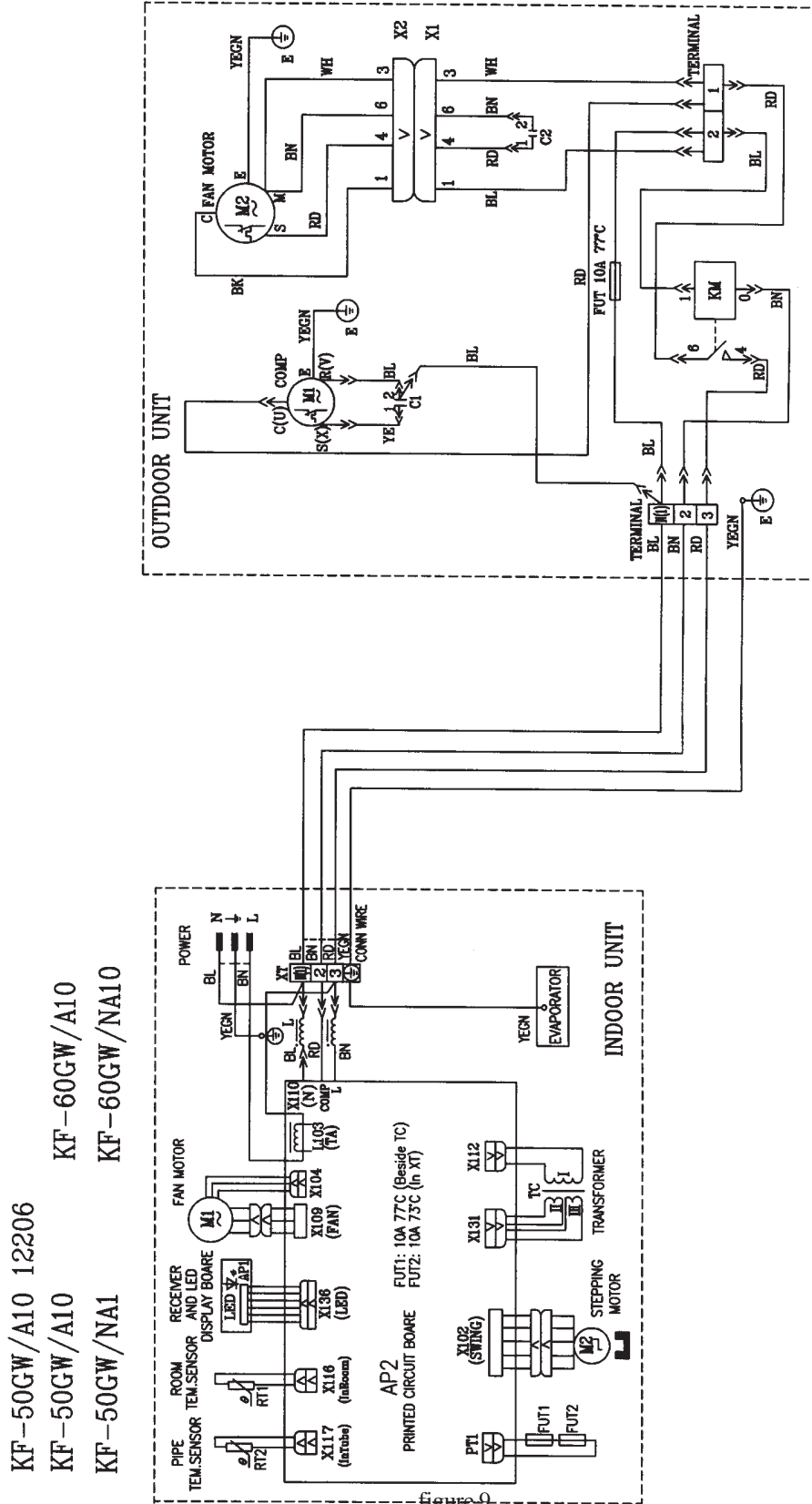
Table 19

No.	Description		Part No.	Qty
			KFR-60W/A10-12405	
1	Front Grill	面罩组件	22265250	1
2	Front Plate	外罩	01433030	1
3	Rear grill Assy	网罩组件	01473024	1
4	Top cover Assy	顶盖组件	01255260	1
5	Rear Side Plate	后侧板	01305001	1
6	Handle	把手	26235253	2
7	Valve Support	阀门支架	01715256	1
8	Metal Base	底盘部件	01205107	1
9	Front Side Support	前侧板组件	01303019	1
10	Electric Plate	电器盒	01415010	1
11	Capacitor clamp	电容夹	02143442	1
12	Comp Capacitor 50uF	压缩机电容	33010710	1
13	Wire Clamp	电线夹	71010102	2
14	Insulation Gasket D	绝缘垫片 D	70410525	1
15	Terminal Board	三位接线板	42011113	1
16	Fan Capacitor 3uF	风机电容	33010027	1
17	Relay (G7L-1A-T)	电源继电器(G7L-1A-T)	44020311	1
18	Terminal Board 2-8	2-8 接线板	42011103	1
19	Filter Capacitor	滤波电容 0.33uF	33020201	1
20	Axial Flow Fan	轴流风叶	10335253	1
21	Motor LW80H	电机	15013107	1
22	Condenser Assy	冷凝器	01133027	1
23	Motor Support	电机支架	01703027	1
24	Isolation Sheet Assy	中间隔板组件	01233022	1
25	4-way Valve	四通阀	43000403	1
	4-way Valve Fittings	四通阀配件	43000401	1
26	Capillary Assy	毛细管部件	03003134	1
27	Valve 5/8"	大阀门组件 5/8"	07105252	1
28	Valve 3/8"	小阀门组件 3/8"	07103016	1
29	Compressor SHV33YE6UU	压缩机及配件	00100144	1
30	Nut with Washer M8	带垫螺母	70310015	3
31	Tube Sensor	室外感温头	39000006	1

The data are subject to change without notice.

8. Circuit diagram

These circuit diagrams are subject to change without notice.
Please refer to the ones stuck on the machines.



GSW24-22L/A
KT3F-60GW/A10

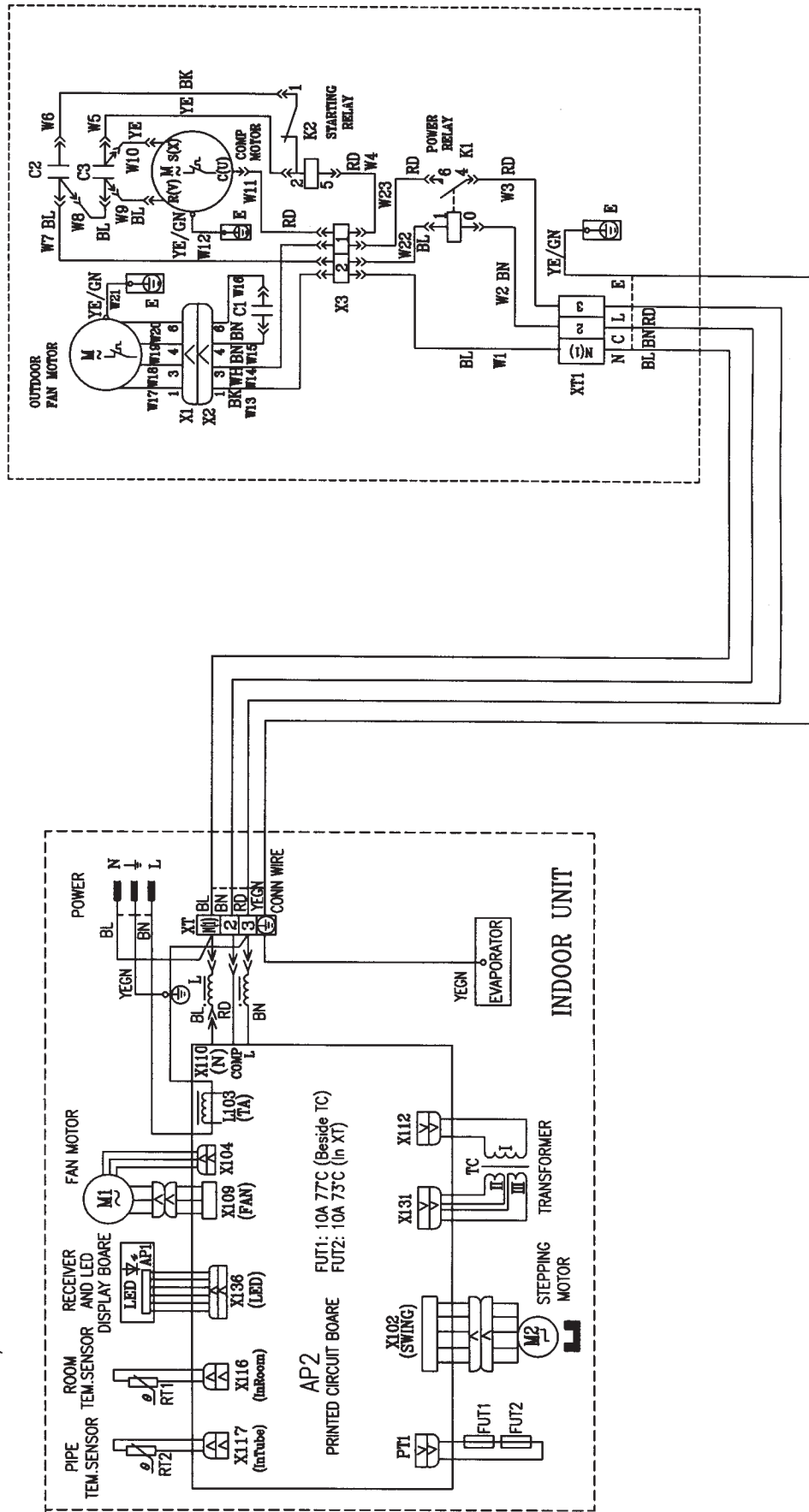


figure 10

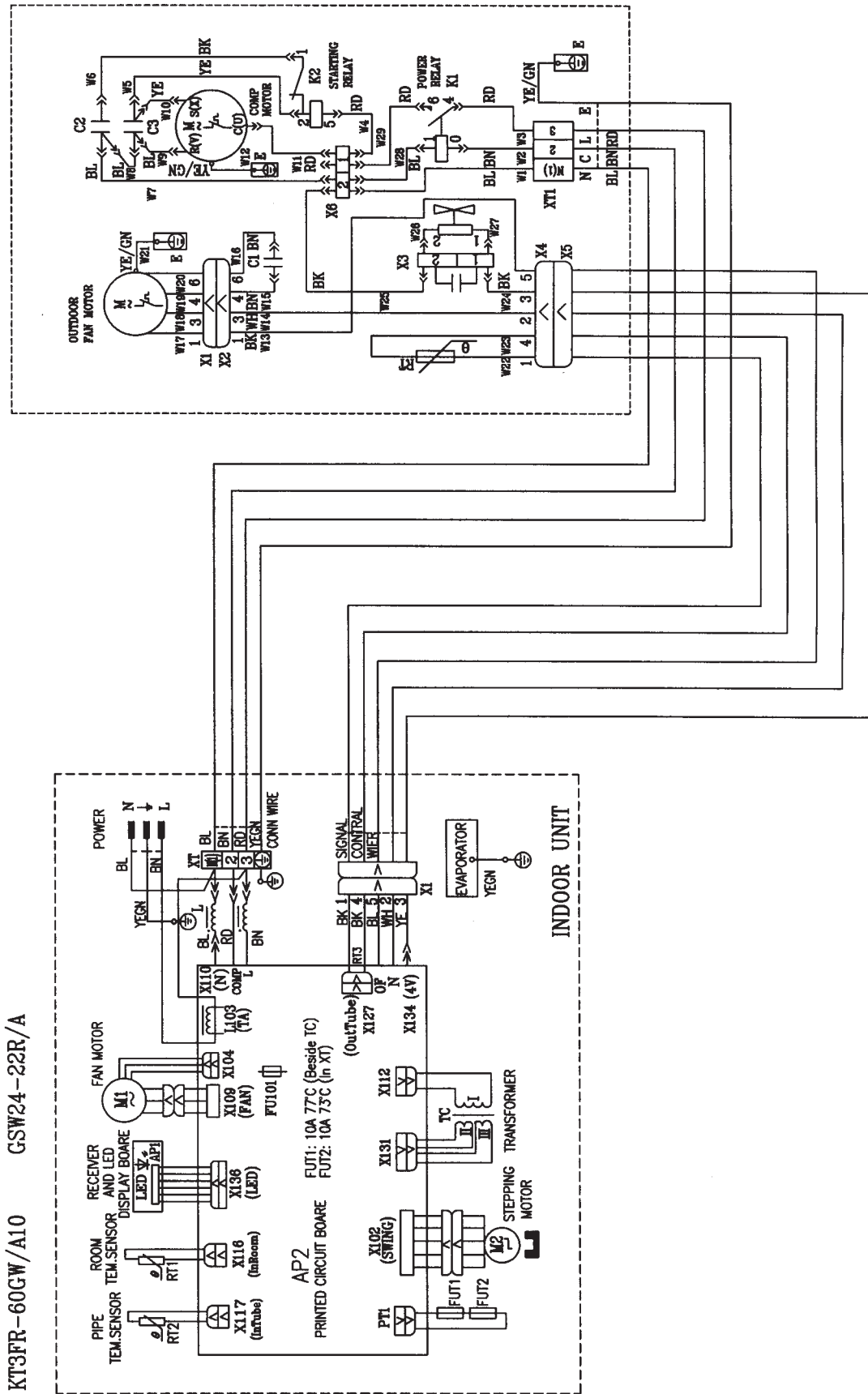


figure 11

KFR-60GW/A10-12405

KFR-60GW/NA10

KFR-60GW/A10

KFR-50GW/A10 12206

KFR-50GW/NA10

KFR-50GW/A10

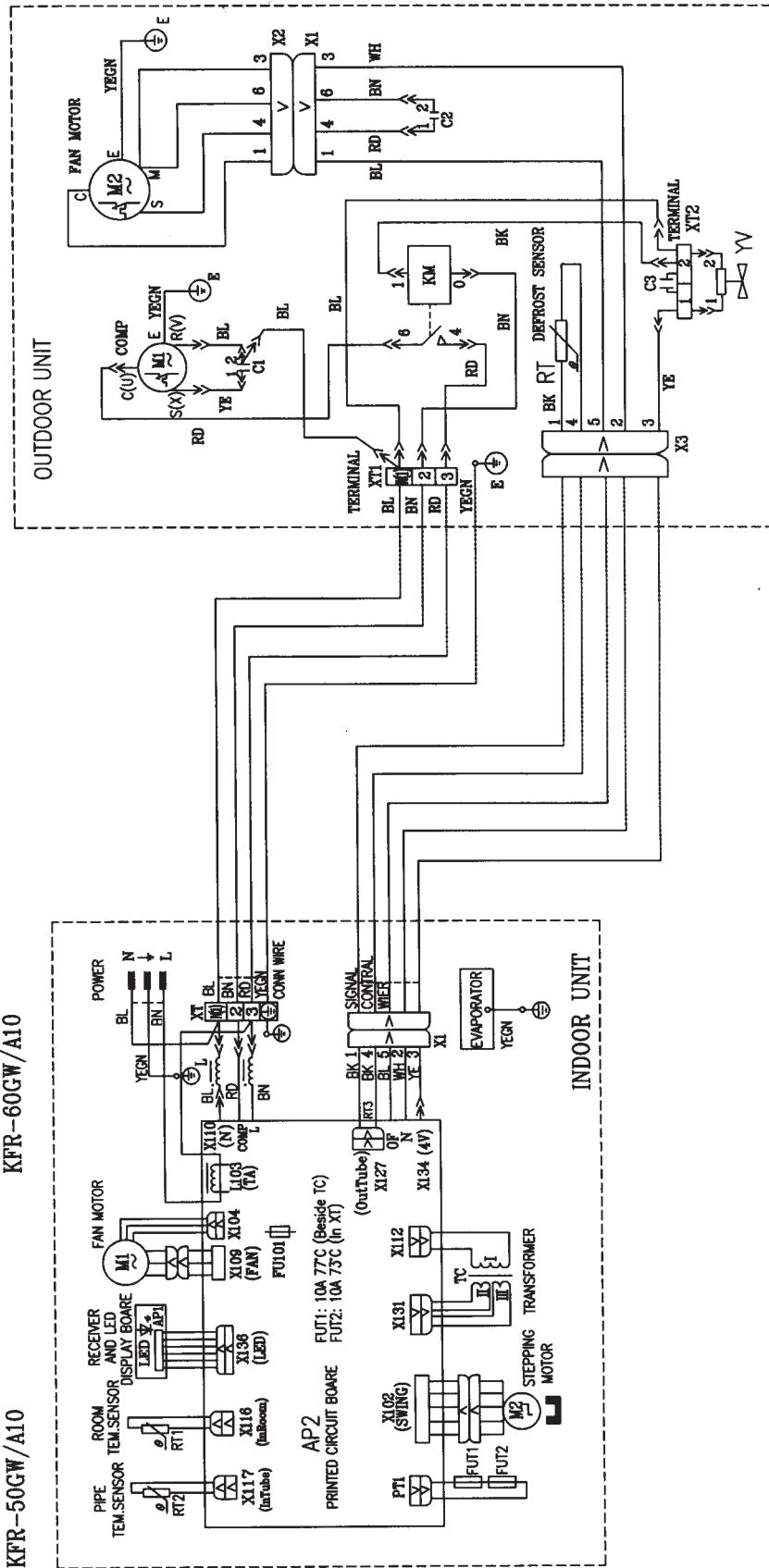


figure 12

9. PCB function manual

5 In 1 PCB Function manual

A. running mode

1. cooling
2. dehumidifying
3. heating
4. fan
5. auto

B. input parameters

1. indoor ambient temp. T_{in}
2. evaporator tube temp. T_{eva}
3. setting temp. T_{set}
4. condenser tube temp. T_{con}
5. outdoor ambient temp. T_{out}

C. targets

1. indoor motor (PG motor)
2. swing motor
3. outdoor motor (two speeds motor)
4. compressor
5. four-way reversing valve
6. electric heater
7. fresh motor
8. air cleaner

D. fundamental functions

1. cooling mode

(1) the running conditions and control measures

- a. if $T_{in} \geq T_{set} + 1^{\circ}\text{C}$, the machine runs at the cooling mode. Compressor runs, outdoor motor runs at low speed , indoor fan runs at the set fan speed.
- b. if $T_{in} \leq T_{set} - 1^{\circ}\text{C}$, the machine stops. Compressor stops first , outdoor motor stops after 15 seconds , indoor motor runs at the set fan speed.
- c. if $T_{set} - 1^{\circ}\text{C} < T_{in} < T_{set} + 1^{\circ}\text{C}$, keep the previous state.

(2) in this mode, the reversing valve is inactive, the temp. setting range is from 16~30°C.

(3) Protect function

- a. anti-freezing function.

If compressor have run 6 minutes , and detect $T_{eva} < 0^{\circ}\text{C}$ for continuous 3 minutes, then the compressor , outdoor fan stopped , indoor fan run at the set fan speed. After 3 minutes later, it will run at the original state if $T_{eva} \geq 10^{\circ}\text{C}$.

- b. compressor protection

Compressor's starting interval should be more than 3 minutes no matter in whatever modes and conditions. If it's plugged in first time, the compressor does not have 3 minutes delay. When compressor is started, it will not stop within 5 minutes unless it is plugged out.

c. overload protection

If it detect the system current surpass the designed 13 A for continuous 3 minutes, the machine go into fan mode, when 3 minutes passed and it detect the current no more than 13 A, it will back to original state. If it detects overloading states for 3 consecutive times within 30 minutes, the machine stops, and must be restarted by remote controller.

d. locked motor protection

if it detects no feedback from the PG motor for continuous 15 seconds , the machine stops, after 3 minutes delay, the machine backs to original state. If the motor be detected locked for 3 consecutive times, the whole machine stops and can not run again automatically.

2. dehumidifying mode

(1) the working conditions and control measures

a. if $T_{in} > T_{set} + 2^{\circ}\text{C}$, it is in cooling running, the indoor motor speed can be selected ,and outdoor motor run at low speed.

b. If $T_{set} - 2^{\circ}\text{C} \leq T_{in} \leq T_{set} + 2^{\circ}\text{C}$, it goes into dehumidifying running ,the indoor motor run at the low speed, 6 minutes later the compressor stops, another 15 seconds later the outdoor fan stops and another 30 seconds later, the indoor motor stops, 3 and a half minutes later, compressor and outdoor fan run again ,indoor motor runs at the low speed, then the machine cycle the above procedures repeatedly. outdoor motor runs at the low speed.

c. If $T_{in} < T_{set} - 2^{\circ}\text{C}$, compressor ,outdoor motor and indoor motor stop.

(2) in this mode, the reversing valve is inactive , the temp. setting range is 16~30°C.

(3) Anti-freezing protection.

If $T_{indoor} > T_{set} + 2^{\circ}\text{C}$, it goes into cooling running , anti-freezing function is same with cooling mode, but the compressor must stops for 4 minutes. when it goes into dehumidifying mode, compressor runs 6 minutes , if it detects $T_{eva} < 0^{\circ}\text{C}$,compressor and outdoor motor stop, indoor motor runs at low speed ,after 3 minutes delay ,and $T_{eva} \geq 10^{\circ}\text{C}$, it will be back to its original state.

(4) Overload is same as the one in cooling mode.

3. heating mode

(1) the working conditions and control measures

a. If $T_{in} \leq T_{set} + 2^{\circ}\text{C}$, it goes into heating mode, reversing valve, compressor and outdoor motor all work in the same time, indoor fan will run at the same procedures with anti cool air function.

b. If $T_{in} \geq T_{set} + 4^{\circ}\text{C}$, compressor stops first, 15 seconds late, outdoor motor stops ,but reversing valve keeps working, indoor motor run at the procedures of blowing surplus heat.

d. if $T_{set} + 2^{\circ}\text{C} < T_{indoor} < T_{set} + 4^{\circ}\text{C}$, keep the previous running state.

e. If $T_{outdoor} \leq 3^{\circ}\text{C}$, outdoor runs at high speed, if $T_{outdoor} \geq 5^{\circ}\text{C}$, outdoor motor runs at low speed .if $3^{\circ}\text{C} \leq T_{outdoor} \leq 5^{\circ}\text{C}$, keep the previous running state.

(2) in this mode, the temperature setting range is from 16~30°C.

(3) The working conditions of auxiliary electric heater.

In heating mode, when compressor is working, indoor motor runs at high speed and middle speed .if it detect $T_{eva} < 50^{\circ}\text{C}$ for continuous 8 seconds and $T_{indoor} \leq 25^{\circ}\text{C}$, electric heater will work ,if compressor stop or indoor motor runs at low speed or $T_{eva} \geq 54^{\circ}\text{C}$ or $T_{indoor} \geq 28^{\circ}\text{C}$ or 10 seconds before defrosting , the electric heater will stop.

(4) protections

a. anti cool air

when the machine starts heating and $T_{eva} \geq 22^{\circ}\text{C}$, indoor motor runs at low speed, and swing motor makes the louver at the horizontal position(in Bird line, it will swing to the maximum air volume position), if $T_{eva} \geq 40^{\circ}\text{C}$ or compressor have run 2 minutes ,indoor motor and swing motor will run at the set speed .

b. anti high temp.

In heating mode, if it detect $T_{eva} \geq 56^{\circ}\text{C}$ (58°C can be selected), outdoor motor will stop(in this period it will not detect the defrosting temp.). if $T_{eva} \leq 52^{\circ}\text{C}$, outdoor motor will be back running (it will not detect defrosting temp. in the first 5 seconds).

c. blowing surplus heat

In heating mode, when set temp is reached ,comp. stops first,15 seconds later outdoor fan stops, Indoor motor blows 90 seconds (60 seconds can be selected) at low speed ,swing motor makes the louver at the horizontal position(in Bird line,it will swing to the maximum air volume postion).

d. Compressor's protection is same with the one in cooling mode.

e. Overload protection

If it detects that the system current surpassed the designed 13 A for continuous 3 seconds, compressor, electric heater and outdoor motor stop , indoor motor runs the same procedures as the blowing surplus heat condition. After 3 minutes and current no more than 13 A, the machine will be back to its original state, indoor motor runs as the anti cool air condition. If it detects overloading state for 3 consecutive times within 30 minutes, the machine stops, and it must be restarted by remote controller.

f. locked motor protection

if it detects no feedback from the PG motor for continuous 15 seconds , compressor , outdoor motor, indoor motor and electric heater will stop, 3 minutes late, the machine will be back to its original state, indoor motor runs as the anti cool air condition. If the motor was locked for 3 consecutive times, the whole machine stops and can not run again automatically.

g. defrosting conditions and procedures

In heating mode, if compressor has run 44 minutes (in its first 6 minutes it will not detect defrosting temp.) , and it has detected $T_{con} \leq -4^{\circ}\text{C}$ for continuous 1 minutes , it begins to defrost , electric heater will stop for 10 seconds (even if electric heater is not working) , then indoor motor stops , reversing valve becomes inactive in another 2 seconds, another 2 seconds later, outdoor motor stops, when $T_{con} \geq 10^{\circ}\text{C}$ or defrosting lasts for 10 minutes , outdoor motor and reversing valve

becomes active , indoor motor will run as the anti cool air condition, then it cycles again, recalculates the compressor's running time again. (In this period , if any protection works ,and after the machine is back to work , it will re-start defrosting state. it will not detect outdoor tube temp when compressor's in its first 6 minutes running)

h. noise lowering protection

When you use RUN/STOP button to switch off the machine, reversing valve will become inactive in 2 minutes.

4. AUTO mode

(1) in AUTO mode, standard cooling $T_{set}=25^{\circ}\text{C}$, standard heating $T_{set}=20^{\circ}\text{C}$

(2) working procedures

- a. If $T_{indoor} \geq T_{set} + 1^{\circ}\text{C}$, select cooling mode, from this time, the set temp. is 25°C . If $T_{indoor} \leq T_{set} - 1^{\circ}\text{C}$, compressor and outdoor motor stop, indoor motor runs at the set speed, if $T_{set} - 1^{\circ}\text{C} < T_{indoor} < T_{set} + 1^{\circ}\text{C}$, keep the original state.
- b. If $T_{indoor} \leq T_{set} + 2^{\circ}\text{C}$, select heating mode, from this time, the set temp. is 20°C , if $T_{indoor} \geq T_{set} + 4^{\circ}\text{C}$, compressor stops first, outdoor motor stops 15 seconds later , reversing valve is always active, indoor motor runs as the blowing surplus heat condition. If $T_{set} + 2^{\circ}\text{C} < T_{indoor} < T_{set} + 4^{\circ}\text{C}$, keeps the original state.

Cooling & heating AUTO mode: in AUTO mode, when the machine is switched from heating mode to the other modes, reversing valve becomes inactive in 90 seconds.

Cooling only AUTO mode: there is no heating function in this mode.

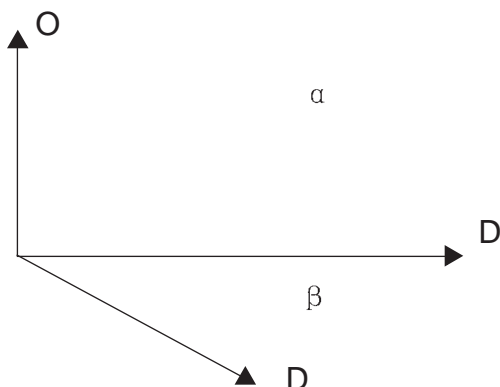
(3) protections

It is same as the one in cooling or heating mode, there is only one exception , the compressor doesn't have at least 5 minutes protection.

E. other controls

1. SWING mode

- a. When it is active, the louver returns to position O, close the air outlet.
- b. When machine works, it turns to the max. Air output position D, then returns back to position L to stand by (position L is the horizontal place mentioned before).
- c. In swing state, the louver swings between position L and position D.
- d. When the machine is switched off, it is back to position O.



Feng Yun Series

In Gree 2000 line and new 24000BTU line , $\alpha =93, \beta =45$

In Bird line, $\alpha =80, \beta =25$

Attention : in Bird line, the louver will stop at position D . in other lines, the louver will stop at position L)

Bird line:

- a. When it is active, the louver returns to position O, close the air outlet.
- b. When machine works, it turns 80 degrees to the max. Air output position D and stands by.
- c. In swing state, the louver swings between position L(25) and position D.
- d. When the machine is switched off, it is back to position O.

2. beeper

- a. When PCB becomes active or receives the signal from the remote controller , the beeper will beep.
- b. If thermostat is open-circuited or short-circuited, when you press the TEST button, the beeper will alarm at the frequency 2HZ.

3. indication lamps

it flashes when defrosting begin.

4. multi-step switch .

- a. If the switch is in AUTO position, the machine will run at the AUTO mode, if there is a signal from remote controller, it will run according to the signal .
- b. If the switch is in TEST position, the machine will run at the COOL mode, indoor motor will run at high speed , swing motor will run according to SWING mode. If there is a signal from remote controller, it will run according to the signal .if the thermostat is open-circuited or short-circuited , the beeper will alarm at the frequency 2 HZ .
- c. If the switch is in RUN position , the machine will run according to the remote signal.
- d. If the switch is in STOP position, the machine will stop.

5. SLEEP mode.

- a. In cooling or dehumidifying mode, 1 hour after you set the sleep timer , T_{set} will add 1°C automatically, another 1 hour, another 1°C will be added.
- b. In heating mode, 1 hour after you set the sleep timer, T_{set} will lower 1°C automatically, another 1 hour, another 1°C will be lowered .

6. Automatic fan speed .

- a. In cooling mode, if $T_{indoor} > T_{set} + 4^{\circ}\text{C}$ high speed
 $T_{set} + 2^{\circ}\text{C} \leq T_{indoor} \leq T_{set} + 4^{\circ}\text{C}$ middle speed
 $T_{indoor} < T_{set} + 2^{\circ}\text{C}$ low speed
- b. In heating mode, if $T_{indoor} \leq T_{set} - 1^{\circ}\text{C}$ high speed
 $T_{set} - 1^{\circ}\text{C} < T_{indoor} < T_{set} + 1^{\circ}\text{C}$ middle speed

$$T_{\text{indoor}} \geq T_{\text{set}} + 2^{\circ}\text{C}$$

low speed

F. Fresh air function.

1. There are two fresh air modes .

a. fresh air 2

Fresh air motor will work 1 hour, then rest 1 hour, then cycle again.

b. fresh air 1

Press the button AIR on the remote controller to select fresh air 1 function, the swing motor keeps running till you give a signal to change it.

G. Air cleaning

In air cleaning mode, air cleaner works while indoor fan runs and air cleaner stops while indoor fan stops.

The speeds of the wind of all types of the air-conditioner are as below:

000: 900, 850, 800, 700 (RPM);

001: 1000, 900, 850, 700(RPM);

010: 1050, 950, 900, 700(RPM);

011: 1100, 1000, 950, 700(RPM);

100: 1200, 1100, 1000, 700(RPM);

101: 1250, 1100, 1050, 700(RPM);

111: 1400, 1200, 1100, 700(RPM);

TECHNICAL SERVICE MANUAL

— **Feng Yun Series**

GREE ELECTRIC APPLIANCES, INC. OF ZHUHAI

Jinji West Rd. Qianshan Zhuhai

Guangdong China

Introduction

In this technical service manual, you will find rich references to Feng Yun Series products, including photos, technical specifications, explosive views, spare parts lists and circuit diagrams. Service people and engineers of Gree's customers and distributors would find it a very handy source of technical information of our products.

Technical Support Department
GREE ELECTRIC APPLIANCES, INC. OF ZHUHAI
Nov. 2002

Editor In Chief: Chen Jianmin

Compiler: Chen Zhian Ouyang Jun Tian Guoku
Jia Tianwei Yang Rong Cao Xuan Wang Min

Proofreader: Yang Chunsheng Zhu Yunqing Wang Xin

Designer of Cover: Li Jiasheng Sheng Zhiguo

CONTENTS

1. Summary	1
2. Technical specifications	3
3. Performance curves	12
4. Outlines and dimensions of indoor unit.....	15
5. Outlines and dimensions of outdoor unit.....	16
6. Explosive view and spare parts list of indoor unit	18
7. Explosive view and spare parts list of outdoor unit	24
8. Circuit diagram	30
9. PCB function manual	34